

## DM-40 DM-40-W

**Active Monitor Speaker**  
**Haut-parleur de Moniteur Actif**  
**Aktiver Monitorlautsprecher**  
**Diffusore Monitor Attivo**  
**Actieve Monitorluidspreker**  
**Altavoz Monitor Activo**  
**Coluna de Monitor Ativa**  
**Активная Акустическая Система**  
**監聽級有源揚聲器**  
**アクティブモニタースピーカー**

### [pioneerdj.com/support/](http://pioneerdj.com/support/)

The Pioneer DJ support site shown above offers FAQs, information on software and various other types of information and services to allow you to use your product in greater comfort.

Le site de support DJ de Pioneer indiqué ci-dessus propose une FAQ, des informations sur le logiciel et divers types d'informations et de services qui permettent une utilisation plus confortable de ce produit.

Die oben gezeigte Pioneer DJ-Support-Website enthält häufig gestellte Fragen, Informationen über Software und andere wichtige Informationen und Dienste, die Ihnen helfen, Ihr Produkt optimal zu verwenden.

Il sito di supporto DJ Pioneer indicato qui sopra offre una sezione FAQ, informazioni sul software ed informazioni e servizi di vario tipo, per permettere un uso più confortevole dei nostri prodotti.

De bovengenoemde Pioneer DJ ondersteuningswebsite biedt een overzicht van de vaak gestelde vragen, informatie over software en allerlei andere soorten informatie en diensten die u in staat stellen dit product met meer gemak te gebruiken.

El sitio de asistencia Pioneer DJ mostrado arriba ofrece las preguntas frecuentes, información del software y varios otros tipos de información y servicios que le permitirán usar su producto con mayor confort.

O site de suporte da Pioneer DJ mostrado acima oferece FAQs, informações sobre o software e outros tipos de informações e serviços para permitir utilizar o produto com um maior conforto.

На указанном выше сайте поддержки Pioneer DJ содержатся раздел часто задаваемых вопросов, информация по программному обеспечению, а также различные другие типы информации и услуг, позволяющие использовать ваше изделие более лучшим образом.

上方顯示的先鋒DJ支援網站提供FAQ、軟體資訊及各式其他類型的資訊與服務，可讓您更方便的使用產品。

上記のPioneerDJサポートサイトでは、困ったときのよくある質問やソフトウェアの情報など、より快適に製品をお使いいただくための各種情報やサービスを提供しております。

### 商品相談・修理受付・付属品購入窓口のご案内

お取り扱いにお困りのとき、本書の巻末をご覧ください。

**保証書付き**

Operating Instructions

Mode d'emploi

Bedienungsanleitung

Istruzioni per l'uso

Handleiding

Manual de instrucciones

Manual de instruções

Инструкции по эксплуатации

操作手冊

取扱説明書

**EAC**

Thank you for buying this Pioneer DJ product.  
Please read through these operating instructions so you will know how to operate your model properly.  
After you have finished reading the instructions, put them away in a safe place for future reference.

## [For American Users and Canadian Users]

### IMPORTANT



The lightning flash with arrowhead symbol, within an equilateral triangle, is intended to alert the user to the presence of uninsulated "dangerous voltage" within the product's enclosure that may be of sufficient magnitude to constitute a risk of electric shock to persons.

### CAUTION

RISK OF ELECTRIC SHOCK  
DO NOT OPEN



**CAUTION:**  
TO PREVENT THE RISK OF ELECTRIC SHOCK, DO NOT REMOVE COVER (OR BACK). NO USER-SERVICEABLE PARTS INSIDE. REFER SERVICING TO QUALIFIED SERVICE PERSONNEL.

The exclamation point within an equilateral triangle is intended to alert the user to the presence of important operating and maintenance (servicing) instructions in the literature accompanying the appliance.

D3-4-2-1-1b\_A1\_En

### The Safety of Your Ears is in Your Hands

Get the most out of your equipment by playing it at a safe level – a level that lets the sound come through clearly without annoying blaring or distortion and, most importantly, without affecting your sensitive hearing. Sound can be deceiving. Over time, your hearing "comfort level" adapts to higher volumes of sound, so what sounds "normal" can actually be loud and harmful to your hearing. Guard against this by setting your equipment at a safe level BEFORE your hearing adapts.

#### ESTABLISH A SAFE LEVEL:

- Set your volume control at a low setting.
- Slowly increase the sound until you can hear it comfortably and clearly, without distortion.
- Once you have established a comfortable sound level, set the dial and leave it there.

#### BE SURE TO OBSERVE THE FOLLOWING GUIDELINES:

- Do not turn up the volume so high that you can't hear what's around you.
- Use caution or temporarily discontinue use in potentially hazardous situations.
- Do not use headphones while operating a motorized vehicle; the use of headphones may create a traffic hazard and is illegal in many areas.

S001a\_A1\_En

## [For American Users]

# IMPORTANT SAFETY INSTRUCTIONS

- 1) Read these instructions.
- 2) Keep these instructions.
- 3) Heed all warnings.
- 4) Follow all instructions.
- 5) Do not use this apparatus near water.
- 6) Clean only with dry cloth.
- 7) Do not block any ventilation openings. Install in accordance with the manufacturer's instructions.
- 8) Do not install near any heat sources such as radiators, heat registers, stoves, or other apparatus (including amplifiers) that produce heat.
- 9) Do not defeat the safety purpose of the polarized or grounding-type plug. A polarized plug has two blades with one wider than the other. A grounding type plug has two blades and a third grounding prong. The wide blade or the third prong are provided for your safety. If the provided plug does not fit into your outlet, consult an electrician for replacement of the obsolete outlet.
- 10) Protect the power cord from being walked on or pinched particularly at plugs, convenience receptacles, and the point where they exit from the apparatus.
- 11) Only use attachments/accessories specified by the manufacturer.
- 12) Use only with the cart, stand, tripod, bracket, or table specified by the manufacturer, or sold with the apparatus. When a cart is used, use caution when moving the cart/apparatus combination to avoid injury from tip-over.
- 13) Unplug this apparatus during lightning storms or when unused for long periods of time.
- 14) Refer all servicing to qualified service personnel. Servicing is required when the apparatus has been damaged in any way, such as power-supply cord or plug is damaged, liquid has been spilled or objects have fallen into the apparatus, the apparatus has been exposed to rain or moisture, does not operate normally, or has been dropped.



D3-7-13-69\_En

**Caution**

To prevent fire hazard, the Class 2 Wiring Cable should be used for connection with speaker, and should be routed away from hazards to avoid damage to the insulation of the cable.

D3-7-13-67\*\_A1\_En

**IMPORTANT NOTICE**

THE MODEL NUMBER AND SERIAL NUMBER OF THIS EQUIPMENT ARE ON THE REAR OR BOTTOM. RECORD THESE NUMBERS ON PAGE 9 FOR FUTURE REFERENCE.

D36-AP9-3\*\_A1\_En

**[For European Users]****CAUTION**

TO PREVENT THE RISK OF ELECTRIC SHOCK, DO NOT REMOVE COVER (OR BACK). NO USER-SERVICEABLE PARTS INSIDE. REFER SERVICING TO QUALIFIED SERVICE PERSONNEL.

D3-4-2-1-1\_B1\_En



If you want to dispose this product, do not mix it with general household waste. There is a separate collection system for used electronic products in accordance with legislation that requires proper treatment, recovery and recycling.

Private households in the member states of the EU, in Switzerland and Norway may return their used electronic products free of charge to designated collection facilities or to a retailer (if you purchase a similar new one).

For countries not mentioned above, please contact your local authorities for the correct method of disposal.

By doing so you will ensure that your disposed product undergoes the necessary treatment, recovery and recycling and thus prevent potential negative effects on the environment and human health.

K058b\_A1\_En

**[For American Users and Others]****NOTE:**

This equipment has been tested and found to comply with the limits for a Class B digital device, pursuant to Part 15 of the FCC Rules. These limits are designed to provide reasonable protection against harmful interference in a residential installation. This equipment generates, uses, and can radiate radio frequency energy and, if not installed and used in accordance with the instructions, may cause harmful interference to radio communications. However, there is no guarantee that interference will not occur in a particular installation. If this equipment does cause harmful interference to radio or television reception, which can be determined by turning the equipment off and on, the user is encouraged to try to correct the interference by one or more of the following measures:

- Reorient or relocate the receiving antenna.
- Increase the separation between the equipment and receiver.
- Connect the equipment into an outlet on a circuit different from that to which the receiver is connected.
- Consult the dealer or an experienced radio/TV technician for help.

D8-10-1-2\_A1\_En

**Information to User**

Alterations or modifications carried out without appropriate authorization may invalidate the user's right to operate the equipment.

D8-10-2\_A1\_En

This equipment is a Class II or double insulated electrical appliance.

## WARNING

This equipment is not waterproof. To prevent a fire or shock hazard, do not place any container filled with liquid near this equipment (such as a vase or flower pot) or expose it to dripping, splashing, rain or moisture.

D3-4-2-1-3\_A1\_En

## WARNING

To prevent a fire hazard, do not place any naked flame sources (such as a lighted candle) on the equipment.

D3-4-2-1-7a\_A1\_En

## Operating Environment

Operating environment temperature and humidity: +5 °C to +35 °C (+41 °F to +95 °F); less than 85 %RH (cooling vents not blocked)

Do not install this unit in a poorly ventilated area, or in locations exposed to high humidity or direct sunlight (or strong artificial light).


D3-4-2-1-7c\*\_A2\_En

## VENTILATION CAUTION

When installing this unit, make sure to leave space around the unit for ventilation to improve heat radiation (at least 15 cm at top, 15 cm at rear, and 15 cm at each side).

D3-4-2-1-7d\*\_A1\_En

The graphical symbol  placed on the product means alternating current.

The graphical symbol  placed on the product means direct current.

The graphical symbol  placed on the product means Class II equipment.

D3-8-2-4\_A1\_En

## CAUTION

This product is evaluated in moderate climate condition.

D3-8-2-1-7b\_A1\_En

## POWER-CORD CAUTION

Handle the power cord by the plug. Do not pull out the plug by tugging the cord and never touch the power cord when your hands are wet as this could cause a short circuit or electric shock. Do not place the unit, a piece of furniture, etc., on the power cord, or pinch the cord. Never make a knot in the cord or tie it with other cords. The power cords should be routed such that they are not likely to be stepped on. A damaged power cord can cause a fire or give you an electrical shock. Check the power cord once in a while. When you find it damaged, ask your nearest service center or your dealer for a replacement.

S002\*\_A1\_En

### Precaution for the DM-40, DM-40-W

Do not connect this speaker to any amplifier other than the one supplied with this system. Connection to any other amplifier may result in a malfunction or a fire.

SGK006\_A1\_En

Do not attach these speakers to the wall or ceiling, as they may cause injury in the event of a fall.

SGK007\_A1\_En

This product is for general household purposes. Any failure due to use for other than household purposes (such as long-term use for business purposes in a restaurant or use in a car or ship) and which requires repair will be charged for even during the warranty period.

K041\_A1\_En

## WARNING

Slots and openings in the cabinet are provided for ventilation to ensure reliable operation of the product, and to protect it from overheating. To prevent fire hazard, the openings should never be blocked or covered with items (such as newspapers, table-cloths, curtains) or by operating the equipment on thick carpet or a bed.

D3-4-2-1-7b\*\_A1\_En

# Read Before Use (Important)

## Before start

### Features

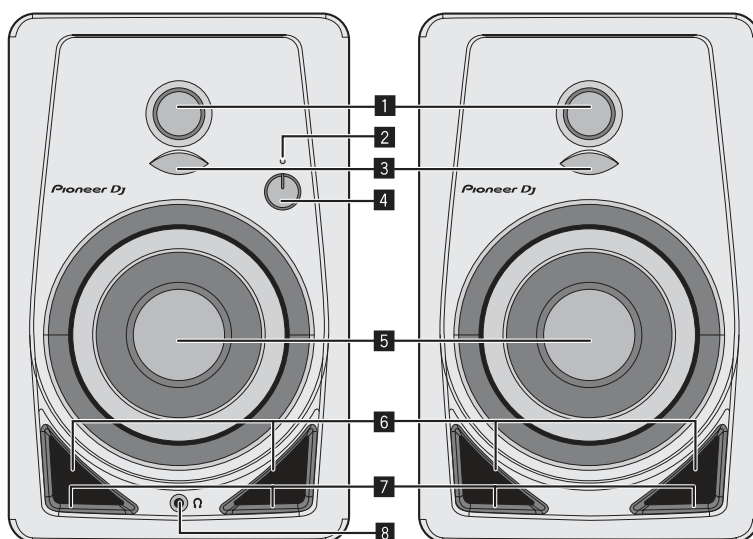
- A bass reflex duct at the front and the Groove technology produce a powerful kick sound.
- A convex diffuser on a new shape waveguide improves the sound directivity of high frequencies and provides spacious sound.
- Rich bass sound and clearer sound quality achieved despite its compact desktop size.

### Checking the accessories

- Power cord x1
- Operating instructions (this document)
- Audio converter cable (3.5 mm stereo mini plug to RCA) x1
- Speaker cord x 1
- Bottom cushion x8

## Names and functions of parts

### Front panel



#### 1 3/4 inch soft dome tweeters

#### 2 POWER indicator

Lighting is linked to turning on/off the power. The indicator is off in standby.

#### 3 Diffusers

Improve the sound directivity of high frequencies and provide spacious sound.

#### 4 LEVEL control

Adjusts the volume.

#### 5 4 inch glass fiber woofers

#### 6 Bass reflex ducts

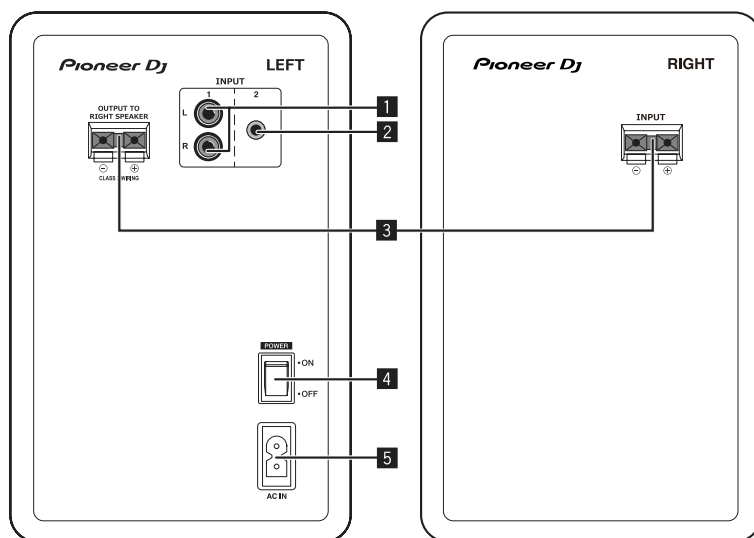
#### 7 Grooves

Adjust the airflow of the bass reflex ducts to radiate low frequencies smoothly.

#### 8 Headphone terminal

This is a 3.5 mm stereo mini plug type output terminal. Connecting headphones mutes the sound output from the speakers and outputs sound only from the headphones.

## Rear panel



### 1 INPUT 1 terminals (stereo)

These are RCA pin type unbalanced input terminals.

### 2 INPUT 2 terminals (stereo)

This is a 3,5 mm stereo mini plug type unbalanced input terminal.

### 3 Speaker connection connectors

Connect the left and right speakers using the included cord. Do not connect these speakers to an amplifier other than that of this system. Doing so may cause a damage or fire.

### 4 POWER switch

Turns this unit's power on and off.

### 5 AC IN

Connect the power cord to AC IN and then to the power outlet. Connect the power cord after all the connections between devices have been completed. Be sure to use the included power cord.

### CAUTION

The **POWER** switch on this unit will not completely shut off all power from the AC outlet. Since the power cord serves as the main disconnect device for the unit, you will need to unplug it from the AC outlet to shut down all power. Therefore, make sure the unit has been installed so that the power cord can be easily unplugged from the AC outlet in case of an accident. To avoid fire hazard, the power cord should also be unplugged from the AC outlet when left unused for a long period of time (for example, when on vacation).

D3-4-2-2a\*\_A1\_En



### CAUTION

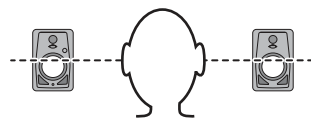
This product is provided with an auto standby function. If a state of no sound continues for a set time (approximately 25 minutes) during use, the product automatically turns off the POWER indicator and enters a standby state with low power consumption. When an audio signal is input in the standby state, the product automatically enters the power-on state. This auto standby function cannot be disabled.

# Installation and Connections

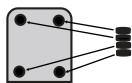
## Installation Procedure

A speaker's playback sound is delicately influenced by conditions in the listening room. To produce optimum listening conditions, take due consideration of the conditions of your installation location before beginning actual installation.

- Place the speakers at ear level.
- For a natural stereo effect, the right and left speakers should be installed in symmetrical and equidistant positions from the listening position.



- Affix the supplied cushions to the bottom of the unit to prevent slipping.

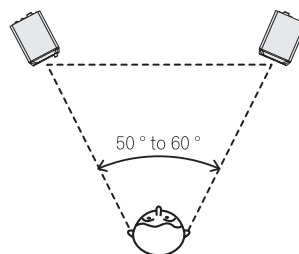


## WARNING

Store small parts out of the reach of children and infants. If accidentally swallowed, contact a doctor immediately.

D41-6-4\_A1\_En

- Install the speakers facing inward with a total angle of 60 degrees from the listening position, 30 degrees for each of the left and right speakers.



## CAUTION

To promote proper cooling, please assure that sufficient space is preserved between the speakers and nearby walls or other components (minimum 15 cm or more above, behind, and to right and left sides of each speaker). Leaving insufficient space between the speaker and walls or other components may lead to rising interior temperatures, leading to malfunction or damage.

## Connections

- Be sure to turn off the power and unplug the power cord from the power outlet whenever making or changing connections.
- Refer to the operating instructions for the component to be connected.
- Connect the power cord after all the connections between devices have been completed.
- Be sure to use the included power cord.
- Be careful with regard to the volume because the signals input to the **[INPUT 1]** terminal and **[INPUT 2]** terminal are mixed.

## Connecting cords

Connect the included speaker cord to the speakers.

### 1 Strip about 1 cm of the head of the included speaker cord and twist and remove the exposed insulator.

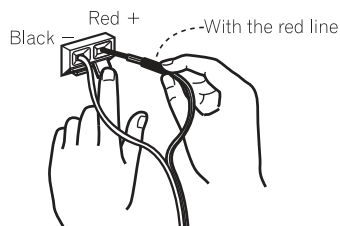
After removing the insulator, thoroughly twist the core wires.



### 2 Connect the included speaker cord to the speaker terminals on the LEFT and RIGHT sides.

### 3 Insert the core wires into the terminals while pressing the claw on the speaker terminal.

Connect the speaker cord with the red line into the + terminal side (red) and the speaker cord without the red line into the - terminal side (black).



## CAUTION

- After connecting to the terminals, lightly pull the speaker cord to make sure that heads of the speaker cord are securely connected to the terminals. A loose connection might cause audio output to be interrupted or noise to be output.
- When connecting the speaker cord, thoroughly twist the core wires, and make sure that the core wires are not protruding out of the speaker terminals. Core wires protruding out of the speaker terminals may come into contact with the rear panel or with each other. This may cause an excessive load to be placed on the amplifier which results in operation stopping or a malfunction.
- If a mistake is made with the polarities (+, -) on the LEFT and RIGHT sides when connecting the LEFT and RIGHT speaker cord, normal stereo effect can no longer be obtained.

# Additional information

## Troubleshooting

- Sometimes the problem may lie in another component. Inspect the other components and electrical appliances being used. If the problem cannot be rectified, ask your nearest Pioneer authorized service center or your dealer to carry out repair work.
- This unit may not operate properly due to static electricity or other external factors. In this case, normal operation may be restored by unplugging the power cord, waiting about 5 seconds or more, then plugging the power cord back in.

Problem	Check	Remedy
The power is not turned on.	Is the power cord properly connected?	Plug in the power cord to an AC outlet.
	Is the connected device set properly?	Set the device external input and volume properly.
	Are the connection cables properly connected?	Connect the connection cables properly.
No sound is output from the connected device or the sound is low.	Are the terminals and plugs dirty?	Clean the terminals and plugs before making connections.
	Is the volume set to the proper position?	Turn the <b>[LEVEL]</b> control on the front panel of this unit clockwise to increase the volume.
	Is the power turned on?	Turn on the <b>[POWER]</b> switch on the rear panel of this unit.
The POWER indicator (white) does not light.	Is the power turned on?	Turn on the <b>[POWER]</b> switch on the rear panel of this unit.
	Are the speakers in the standby state?	Turn off the <b>[POWER]</b> switch on the rear panel of this unit once and then turn it back on after a few seconds.
This unit does not recover (power-on) from the standby state.	Is the input signal level low?	Increase the input signal level.
	Is the volume set to the proper position?	Turn the <b>[LEVEL]</b> control on the front panel of this unit counterclockwise to reduce the volume.
Distorted sound.	Is the level for input from the connected device appropriate?	Adjust the output level of the connected device properly.
Oscillates (loud sound is output continuously).	Is the volume set to the proper position?	Turn the <b>[LEVEL]</b> control on the front panel of this unit counterclockwise to reduce the volume.
Sound is only output from the left speaker.	Is the speaker cord connected properly?	Connect the left and right speakers properly.
Sound is only output from one speaker.	Is the device connected properly?	Connect the device to both the left and right input terminals.

## About trademarks and registered trademarks

- "Pioneer DJ" is a trademark of PIONEER CORPORATION, and is used under license.
- The names of companies and products mentioned herein are trademarks or registered trademarks of their respective owners.

## Specifications

DM-40, DM-40-W	
Model	2-Way Active Speaker
Amplifier section	
Amplifier output	Lch: 21 W/4 $\Omega$ , Class AB Rch: 21 W/4 $\Omega$ , Class AB
Input terminals	RCA $\times$ 1, 3.5 mm stereo mini plug $\times$ 1
Input impedance	10 k $\Omega$
Output terminals	Headphone $\times$ 1
Speaker section	
Enclosure	Bass reflex type/vinyl-laminated MDF
Woofer (LF driver)	4 inch (102 mm) cone
Tweeter (HF driver)	3/4 inch (19 mm) soft dome
Power supply section / other	
Supported voltages	AC 110 V to 240 V, 50 Hz/60 Hz
Power consumption	35 W
Power consumption when waiting (standby status)	0.5 W or less
External dimensions W $\times$ H $\times$ D	Lch: 146 mm $\times$ 227 mm $\times$ 223 mm
	Rch: 146 mm $\times$ 227 mm $\times$ 210 mm
Weight	Lch: 2.7 kg
	Rch: 2.2 kg

- The specifications and design of this product are subject to change without notice.
- © 2016 Pioneer DJ Corporation. All rights reserved.



# Pioneer Dj

Pioneer DJ Americas, Inc.  
**LIMITED WARRANTY**  
 WARRANTY VALID ONLY IN THE U.S.A. AND CANADA

## WARRANTY

Pioneer DJ Americas, Inc. (PDJA) warrants that products distributed by PDJA in the U.S.A. and Canada that fail to function properly under normal use due to a manufacturing defect when installed and operated according to the owner's manual enclosed with the unit will be repaired or replaced with a unit of comparable value, at the option of PDJA, without charge to you for parts or actual repair work. Parts supplied under this warranty may be new or rebuilt at the option of PDJA.

**THIS LIMITED WARRANTY APPLIES TO THE ORIGINAL OR ANY SUBSEQUENT OWNER OF THIS PIONEER DJ PRODUCT DURING THE WARRANTY PERIOD PROVIDED THE PRODUCT WAS PURCHASED FROM AN AUTHORIZED PIONEER DJ DISTRIBUTOR/DEALER IN THE U.S.A. OR CANADA. YOU WILL BE REQUIRED TO PROVIDE A SALES RECEIPT OR OTHER VALID PROOF OF PURCHASE SHOWING THE DATE OF ORIGINAL PURCHASE OR, IF RENTED, YOUR RENTAL CONTRACT SHOWING THE PLACE AND DATE OF FIRST RENTAL. IN THE EVENT SERVICE IS REQUIRED, THE PRODUCT MUST BE DELIVERED WITHIN THE WARRANTY PERIOD, TRANSPORTATION PREPAID, ONLY FROM WITHIN THE U.S.A. AS EXPLAINED IN THIS DOCUMENT. YOU WILL BE RESPONSIBLE FOR REMOVAL AND INSTALLATION OF THE PRODUCT. PDJA WILL PAY TO RETURN THE REPAIRED OR REPLACEMENT PRODUCT TO YOU WITHIN THE U.S.A.**

## PRODUCT WARRANTY PERIOD

	<u>Parts</u>	<u>Labor</u>
Active Monitor Speaker .....	1 Year	1 Year

The warranty period for retail customers who rent the product commences upon the date product is first put into use (a) during the rental period or (b) retail sale, whichever occurs first.

## WHAT IS NOT COVERED

**IF THIS PRODUCT WAS PURCHASED FROM AN UNAUTHORIZED DISTRIBUTOR, THERE ARE NO WARRANTIES, EXPRESS OR IMPLIED, INCLUDING THE IMPLIED WARRANTY OF MERCHANTABILITY AND THE IMPLIED WARRANTY OF FITNESS FOR A PARTICULAR PURPOSE AND THIS PRODUCT IS SOLD STRICTLY "AS IS" AND "WITH ALL FAULTS".**

**PIONEER DJ SHALL NOT BE LIABLE FOR ANY CONSEQUENTIAL AND/OR INCIDENTAL DAMAGES.**

**THIS WARRANTY DOES NOT APPLY IF THE PRODUCT HAS BEEN SUBJECTED TO POWER IN EXCESS OF ITS PUBLISHED POWER RATING.**

**THIS WARRANTY DOES NOT COVER THE CABINET OR ANY APPEARANCE ITEM, USER ATTACHED ANTENNA, ANY DAMAGE TO RECORDS OR RECORDING TAPES OR DISCS, ANY DAMAGE TO THE PRODUCT RESULTING FROM ALTERATIONS, MODIFICATIONS NOT AUTHORIZED IN WRITING BY PIONEER DJ, ACCIDENT, MISUSE OR ABUSE, DAMAGE DUE TO LIGHTNING OR TO POWER SURGES, SUBSEQUENT DAMAGE FROM LEAKING, DAMAGE FROM INOPERATIVE BATTERIES, OR THE USE OF BATTERIES NOT CONFORMING TO THOSE SPECIFIED IN THE OWNER'S MANUAL.**

**THIS WARRANTY DOES NOT COVER THE COST OF PARTS OR LABOR WHICH WOULD BE OTHERWISE PROVIDED WITHOUT CHARGE UNDER THIS WARRANTY OBTAINED FROM ANY SOURCE OTHER THAN A PIONEER DJ AUTHORIZED SERVICE COMPANY OR OTHER DESIGNATED LOCATION. THIS WARRANTY DOES NOT COVER DEFECTS OR DAMAGE CAUSED BY THE USE OF UNAUTHORIZED PARTS OR LABOR OR FROM IMPROPER MAINTENANCE.**

**ALTERED, DEFACED, OR REMOVED SERIAL NUMBERS VOID THIS ENTIRE WARRANTY**

## NO OTHER WARRANTIES

**PIONEER DJ LIMITS ITS OBLIGATIONS UNDER ANY IMPLIED WARRANTIES INCLUDING, BUT NOT LIMITED TO, THE IMPLIED WARRANTIES OF MERCHANTABILITY AND FITNESS FOR A PARTICULAR PURPOSE, TO A PERIOD NOT TO EXCEED THE WARRANTY PERIOD. NO WARRANTIES SHALL APPLY AFTER THE WARRANTY PERIOD. SOME STATES DO NOT ALLOW LIMITATIONS ON HOW LONG AN IMPLIED WARRANTY LASTS AND SOME STATES DO NOT ALLOW THE EXCLUSIONS OR LIMITATIONS OF INCIDENTAL OR CONSEQUENTIAL DAMAGES, SO THE ABOVE LIMITATIONS OR EXCLUSIONS MAY NOT APPLY TO YOU. THIS WARRANTY GIVES YOU SPECIFIC LEGAL RIGHTS AND YOU MAY HAVE OTHER RIGHTS WHICH MAY VARY FROM STATE TO STATE.**

## TO OBTAIN SERVICE

PDJA has appointed a number of Authorized Service Companies throughout the U.S.A. and Canada should your product require service. To receive warranty service you need to present your sales receipt or, if rented, your rental contract showing place and date of original owner's transaction. If shipping the unit you will need to package it carefully and send it, transportation prepaid by a traceable, insured method, to an Authorized Service Company. Package the product using adequate padding material to prevent damage in transit. The original container is ideal for this purpose. Include your name, address and telephone number where you can be reached during business hours.

On all complaints and concerns in the U.S.A. and Canada call Customer Support at 1-800-872-4159.

For hook-up and operation of your unit or to locate an  
 Authorized Service Company, please call or write:

CUSTOMER SUPPORT  
 PIONEER ELECTRONICS (USA) INC.  
 P.O. BOX 1720  
 LONG BEACH, CALIFORNIA 90801  
 1-800-872-4159  
<http://www.pioneerelectronics.com>

## DISPUTE RESOLUTION

Following our response to any initial request to Customer Support, should a dispute arise between you and Pioneer DJ, Pioneer DJ makes available its Complaint Resolution Program to resolve the dispute. The Complaint Resolution Program is available to you without charge. You are required to use the Complaint Resolution Program before you exercise any rights under, or seek any remedies, created by Title I of the Magnuson-Moss Warranty-Federal Trade Commission Improvement Act, 15 U.S.C. 2301 *et seq.*

To use the Complaint Resolution Program call 1-800-872-4159 and explain to the customer service representative the problem you are experiencing, steps you have taken to have the product repaired during the warranty period and the name of the authorized Distributor/Dealer from whom the Pioneer DJ product was purchased. After the complaint has been explained to the representative, a resolution number will be issued. Within 40 days of receiving your complaint, Pioneer DJ will investigate the dispute and will either: (1) respond to your complaint in writing informing you what action Pioneer DJ will take, and in what time period, to resolve the dispute; or (2) respond to your complaint in writing informing you why it will not take any action.

## RECORD THE PLACE AND DATE OF PURCHASE FOR FUTURE REFERENCE

Model No. \_\_\_\_\_ Serial No. \_\_\_\_\_ Purchase Date \_\_\_\_\_

Purchased From \_\_\_\_\_

KEEP THIS INFORMATION AND YOUR SALES RECEIPT IN A SAFE PLACE

UCP0116

Nous vous remercions d'avoir acheté ce produit Pioneer DJ.  
Veuillez lire attentivement ce mode d'emploi de manière à pouvoir utiliser votre modèle correctement. Après avoir lu ces explications, conservez-les en lieu sûr pour éventuellement les consulter plus tard.

## [Pour les utilisateurs aux États-Unis et au Canada]

### IMPORTANT



Ce symbole de l'éclair, placé dans un triangle équilatéral, a pour but d'attirer l'attention de l'utilisateur sur la présence, à l'intérieur du coffret de l'appareil, de "tensions dangereuses" non isolées d'une grandeur suffisante pour représenter un risque d'électrocution pour les êtres humains.

### ATTENTION

**DANGER D'ÉLECTROCUTION  
NE PAS OUVRIR**

**ATTENTION :**  
POUR ÉVITER TOUT RISQUE D'ÉLECTROCUTION, NE PAS ENLEVER LE COUVERCLE (NI LE PANNEAU ARRIÈRE), AUCUNE PIÈCE RÉPARABLE PAR L'UTILISATEUR NE SE TROUVE À L'INTÉRIEUR. CONFIER TOUT ENTRETIEN À UN PERSONNEL QUALIFIÉ UNIQUEMENT.



Ce point d'exclamation, placé dans un triangle équilatéral, a pour but d'attirer l'attention de l'utilisateur sur la présence, dans les documents qui accompagnent l'appareil, d'explications importantes du point de vue de l'exploitation ou de l'entretien.

D3-4-2-1-1b\_A1\_Fr

### La protection de votre ouïe est entre vos mains

Pour assurer le rendement optimal de votre matériel

et – plus important encore – la protection de votre ouïe, réglez le volume à un niveau raisonnable. Pour ne pas altérer votre sens de la perception, le son doit être clair mais ne produire aucun vacarme et être exempt de toute distorsion. Votre ouïe peut vous jouer des tours. Avec le temps, votre système auditif peut en effet s'adapter à des volumes supérieurs, et ce qui vous semble un « niveau de confort normal » pourrait au contraire être excessif et contribuer à endommager votre ouïe de façon permanente. Le réglage de votre matériel à un volume sécuritaire AVANT que votre ouïe s'adapte vous permettra de mieux vous protéger.

### CHOISISSEZ UN VOLUME SÉCURITAIRE:

- Réglez d'abord le volume à un niveau inférieur.
- Montez progressivement le volume jusqu'à un niveau d'écoute confortable ; le son doit être clair et exempt de distorsions.
- Une fois que le son est à un niveau confortable, ne touchez plus au bouton du volume.

### N'OUBLIEZ PAS DE RESPECTER LES DIRECTIVES SUIVANTES:

- Lorsque vous montez le volume, assurez-vous de pouvoir quand même entendre ce qui se passe autour de vous.
- Faites très attention ou cessez temporairement l'utilisation dans les situations pouvant s'avérer dangereuses.
- N'utilisez pas des écouteurs ou un casque d'écoute lorsque vous opérez un véhicule motorisé ; une telle utilisation peut créer des dangers sur la route et est illégale à de nombreux endroits.

S001a\_A1\_Fr

## [Pour les utilisateurs aux États-Unis]

### Attention

Pour éviter les risques d'incendie, des fils de câblage de Classe 2 doivent être utilisés pour le branchement de haut-parleurs et ils doivent être acheminés à l'écart de dangers potentiels afin d'éviter d'endommager leur isolant.

D3-7-13-67\*\_A1\_Fr

### REMARQUE IMPORTANTE

LE NUMÉRO DE MODÈLE ET LE NUMÉRO DE SÉRIE SE TROUVENT À L'ARRIÈRE OU SUR LE FOND DE CET APPAREIL. NOTEZ CES NUMÉROS À LA PAGE 8 POUR VOUS Y RÉFÉRER ULTÉRIEUREMENT.

D36-AP9-3\*\_A1\_Fr

## [Pour les utilisateurs en Europe]

### ATTENTION

POUR ÉVITER TOUT RISQUE D'ÉLECTROCUTION, NE PAS ENLEVER LE COUVERCLE (NI LE PANNEAU ARRIÈRE), AUCUNE PIÈCE RÉPARABLE PAR L'UTILISATEUR NE SE TROUVE À L'INTÉRIEUR. CONFIER TOUT ENTRETIEN À UN PERSONNEL QUALIFIÉ UNIQUEMENT.

D3-4-2-1-1\_B1\_Fr



Si vous souhaitez vous débarrasser de cet appareil, ne le mettez pas à la poubelle avec vos ordures ménagères. Il existe un système de collecte séparé pour les appareils électroniques usagés, qui doivent être récupérés, traités et recyclés conformément à la législation.

Les habitants des états membres de l'UE, de Suisse et de Norvège peuvent retourner gratuitement leurs appareils électroniques usagés aux centres de collecte agréés ou à un détaillant (si vous rachetez un appareil similaire neuf).

Dans les pays qui ne sont pas mentionnés ci-dessus, veuillez contacter les autorités locales pour savoir comment vous pouvez vous débarrasser de vos appareils.

Vous garantirez ainsi que les appareils dont vous vous débarrassez sont correctement récupérés, traités et recyclés et préviendrez de cette façon les impacts néfastes possibles sur l'environnement et la santé humaine.

K058b\_A1\_Fr

**AVERTISSEMENT**

Cet appareil n'est pas étanche. Pour éviter les risques d'incendie et de décharge électrique, ne placez près de lui un récipient rempli d'eau, tel qu'un vase ou un pot de fleurs, et ne l'exposez pas à des gouttes d'eau, des éclaboussures, de la pluie ou de l'humidité.

D3-4-2-1-3\_A1\_Fr

**AVERTISSEMENT**

Pour éviter les risques d'incendie, ne placez aucune flamme nue (telle qu'une bougie allumée) sur l'appareil.

D3-4-2-1-7a\_A1\_Fr

**Milieu de fonctionnement**

Température et humidité du milieu de fonctionnement : De +5 °C à +35 °C (de +41 °F à +95 °F) ; Humidité relative inférieure à 85 % (orifices de ventilation non obstrués)

N'installez pas l'appareil dans un endroit mal ventilé ou un lieu soumis à une forte humidité ou en plein soleil (ou à une forte lumière artificielle).


D3-4-2-1-7c\*\_A1\_Fr

**PRÉCAUTION DE VENTILATION**

Lors de l'installation de l'appareil, veillez à laisser un espace suffisant autour de ses parois de manière à améliorer la dissipation de chaleur (au moins 15 cm sur le dessus, 15 cm à l'arrière et 15 cm de chaque côté).

D3-4-2-1-7d\*\_A1\_Fr

Le symbole graphique  indiqué sur le produit représente le courant alternatif.

Le symbole graphique  indiqué sur le produit représente le courant continu.

Le symbole graphique  indiqué sur le produit représente un équipement de Classe II.

D3-8-2-4\_A1\_Fr

**ATTENTION**

Ce produit a été testé dans des conditions de climat tempéré.

D3-8-2-1-7b\_A1\_Fr

**NOTE IMPORTANTE SUR LE CÂBLE D'ALIMENTATION**

Tenir le câble d'alimentation par la fiche. Ne pas débrancher la prise en tirant sur le câble et ne pas toucher le câble avec les mains mouillées. Cela risque de provoquer un court-circuit ou un choc électrique. Ne pas poser l'appareil ou un meuble sur le câble. Ne pas pincer le câble. Ne pas faire de noeud avec le câble ou l'attacher à d'autres câbles. Les câbles d'alimentation doivent être posés de façon à ne pas être écrasés. Un câble abîmé peut provoquer un risque d'incendie ou un choc électrique. Vérifier le câble d'alimentation de temps en temps. Contacter le service après-vente le plus proche ou le revendeur pour un remplacement.

S002\*\_A1\_Fr

**Précautions concernant les enceintes DM-40, DM-40-W**

Ne reliez pas cette enceinte à un amplificateur autre que celui fourni avec l'ensemble, faute de quoi vous pouvez provoquer une anomalie de fonctionnement, voire un incendie.

SGK006\*\_A1\_Fr

N'attachez pas ces enceintes sur un mur ou au plafond car, en tombant, elles pourraient causer des blessures.

SGK007\_A1\_Fr

Ce produit est destiné à une utilisation domestique générale. Toute panne due à une utilisation autre qu'à des fins privées (comme une utilisation à des fins commerciales dans un restaurant, dans un autocar ou sur un bateau) et qui nécessite une réparation sera aux frais du client, même pendant la période de garantie.

K041\_A1\_Fr

**AVERTISSEMENT**

Les fentes et ouvertures du coffret sont prévues pour la ventilation, pour assurer un fonctionnement stable de l'appareil et pour éviter sa surchauffe. Pour éviter les risques d'incendie, ne bouchez jamais les ouvertures et ne les recouvrez pas d'objets, tels que journaux, nappes ou rideaux, et n'utilisez pas l'appareil posé sur un tapis épais ou un lit.

D3-4-2-1-7b\*\_A1\_Fr

# A lire avant l'utilisation (Important)

## Informations préliminaires

### Caractéristiques

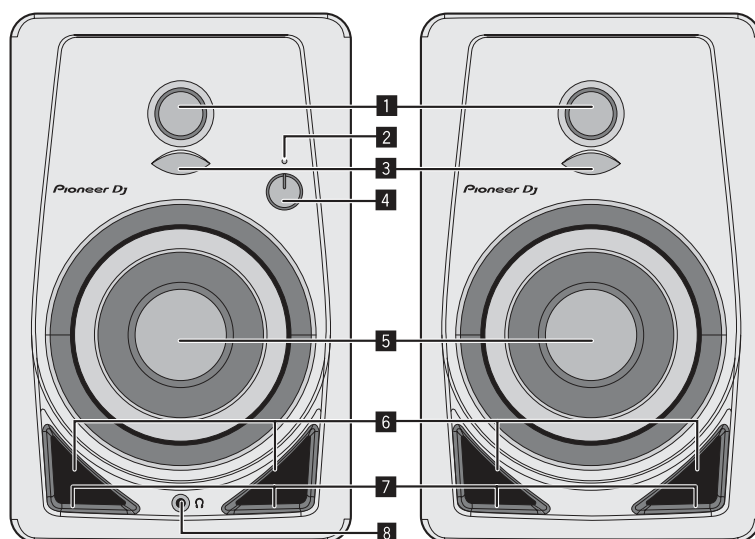
- Reproduction d'un son de grosse caisse puissant grâce à un canal bass-reflex à l'avant et à la technologie Groove.
- Diffuseur convexe doté d'un guide d'ondes d'une forme nouvelle optimisant la directivité des hautes fréquences et la spatialité du son.
- Obtention d'un son riche en basses et d'une qualité sonore plus claire malgré son format de bureau compact.

### Vérification des accessoires

- Cordon d'alimentation x1
- Mode d'emploi (ce document)
- Câble de conversion audio (mini-jack stéréo de 3,5 mm vers RCA) x1
- Cordon de haut-parleur x1
- Coussinets antidérapants x8

## Noms et fonctions des organes

### Face avant



#### 1 Tweeters à dôme souple de 3/4 pouces

#### 2 Indicateur POWER

L'éclairage est lié à la mise sous/hors tension. Le voyant est éteint en veille.

#### 3 Diffuseurs

Améliorez la directivité sonore des hautes fréquences et offrez un son ample.

#### 4 Commande LEVEL

Ajuste le volume.

#### 5 Caissons en fibre de verre de 4 pouces

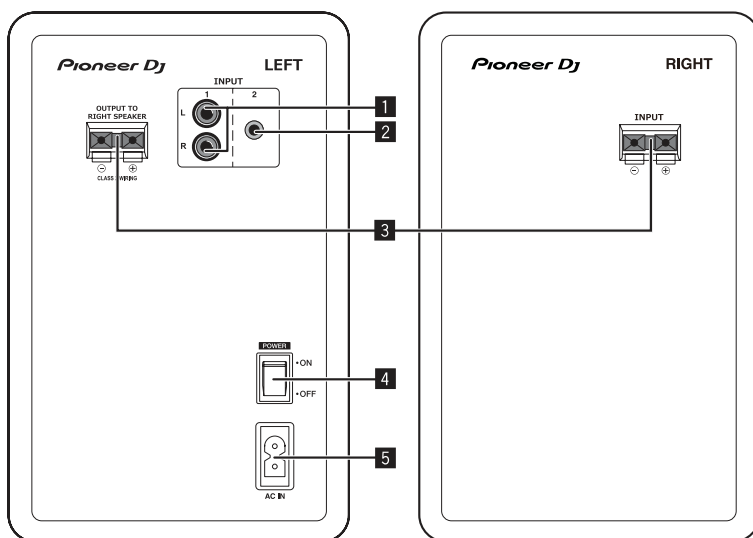
#### 6 Canaux basse réflex

#### 7 Rainures

Ajustez la circulation de l'air des canaux basse réflex pour émettre en douceur les basses fréquences.

#### 8 Prise de casque

Il s'agit d'une prise de sortie de type mini-jack stéréo de 3,5 mm. Le raccordement d'un casque coupe le son provenant des haut-parleurs, et le son provient uniquement du casque.



### 1 Prises INPUT 1 (stéréo)

Il s'agit de prises d'entrée asymétriques de type prise RCA.

### 2 Prises INPUT 2 (stéréo)

Il s'agit d'une prise d'entrée asymétrique de type mini-jack stéréo de 3,5 mm.

### 3 Connecteurs de raccordement de haut-parleur

Raccordez les haut-parleurs gauche et droit à l'aide du cordon fourni.

Ne raccordez pas ces haut-parleurs à un amplificateur autre que celui de ce système. Ceci pourrait endommager le produit ou provoquer un incendie.

### 4 Commutateur POWER

Pour allumer et éteindre cet appareil.

### 5 AC IN

Branchez le cordon d'alimentation à AC IN et à la prise électrique. Lorsque tous les appareils ont été raccordés, vous pouvez brancher le cordon d'alimentation.

Veillez à utiliser le cordon d'alimentation fourni.

### ATTENTION

L'interrupteur **POWER** de cet appareil ne coupe pas complètement celui-ci de sa prise secteur. Comme le cordon d'alimentation fait office de dispositif de déconnexion du secteur, il devra être débranché au niveau de la prise secteur pour que l'appareil soit complètement hors tension. Par conséquent, veillez à installer l'appareil de telle manière que son cordon d'alimentation puisse être facilement débranché de la prise secteur en cas d'accident. Pour éviter tout risque d'incendie, le cordon d'alimentation sera débranché au niveau de la prise secteur si vous prévoyez une période prolongée de non utilisation (par exemple avant un départ en vacances).

D3-4-2-2a\*\_A1\_Fr

### ⚠ ATTENTION

Ce produit est fourni avec une fonction de veille automatique. Si un état sans son persiste sur une période donnée (25 minutes environ) pendant l'utilisation, le produit éteint automatiquement le voyant **POWER** et passe à l'état de veille avec une faible consommation.

Lorsqu'un signal audio est émis en entrée à l'état de veille, le produit passe automatiquement à l'état sous tension.

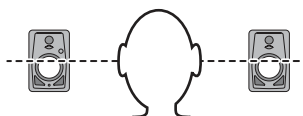
Cette fonction de veille automatique ne peut pas être désactivée.

# Installation et connexions

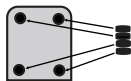
## Installation

Les sons reproduits par les enceintes sont influencés délicatement par les conditions du local d'écoute. Pour bénéficier d'un environnement d'écoute optimal, réfléchissez bien aux conditions de l'emplacement avant de commencer l'installation proprement dite.

- Installez les haut-parleurs à hauteur des oreilles.
- Pour obtenir un effet stéréo naturel, les enceintes gauche et droite doivent être installées à des points symétriques et équidistants de la position d'écoute.



- Fixez les coussinets fournis sur la surface inférieure de l'appareil pour éviter tout risque de glissement.

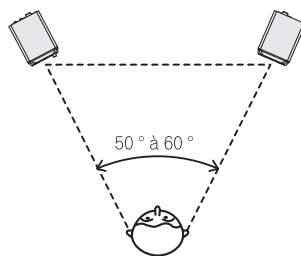


## AVERTISSEMENT

Gardez les pièces de petite taille hors de la portée des bébés et des enfants. En cas d'ingestion accidentelle, veuillez contacter immédiatement un médecin.

D41-6-4\_A1\_Fr

- Installez les haut-parleurs orientés vers l'intérieur à un angle de 60 degrés par rapport à la position d'écoute, 30 degrés pour chacun des haut-parleurs gauche et droit.



## ATTENTION

Pour permettre un meilleur refroidissement, veillez à ce qu'un espace suffisant soit laissé entre les haut-parleurs et les murs ou autres composants à proximité (15 cm minimum au-dessus, derrière et sur les côtés droit et gauche de chaque haut-parleur). Le fait de ne pas laisser d'espace suffisant entre le haut-parleur et les murs ou autres composants peut entraîner une augmentation des températures intérieures, et provoquer un dysfonctionnement ou un endommagement.

## Raccordements

- Veillez à toujours éteindre les appareils et à débrancher le cordon d'alimentation de la prise secteur avant de raccorder un appareil ou de changer les liaisons.
- Reportez-vous au mode d'emploi de l'appareil devant être raccordé.
- Lorsque tous les appareils ont été raccordés, vous pouvez brancher le cordon d'alimentation.
- Veillez à utiliser le cordon d'alimentation fourni.
- Soyez vigilant avec le volume, car les signaux émis en entrée sur la prise **[INPUT 1]** et la prise **[INPUT 2]** sont combinés.

## Cordons de raccordement

Branchez le cordon de haut-parleur fourni aux haut-parleurs.

### 1 Dénudez sur 1 cm environ de la tête du cordon de haut-parleur fourni, tordez et retirez l'isolant exposé.

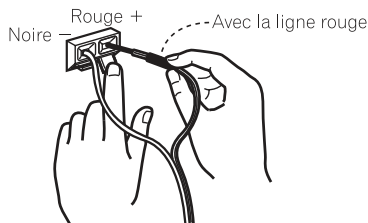
Une fois l'isolant retiré, tordez bien les fils centraux.



### 2 Branchez le cordon de haut-parleur fourni aux prises de haut-parleurs à GAUCHE et à DROITE.

### 3 Introduisez les fils centraux dans les prises tout en appuyant sur la griffe de la prise de haut-parleur.

Branchez le cordon de haut-parleur avec la ligne rouge sur le côté de la prise + (rouge) et le cordon de haut-parleur sans la ligne rouge sur le côté de la prise - (noire).



## ATTENTION

- Une fois les prises raccordées, tirez légèrement sur le cordon de haut-parleur pour vous assurer que les têtes de cordon de haut-parleur sont bien raccordées aux prises. Un raccordement lâche peut entraîner une interruption de la sortie audio ou l'émission de bruit.
- Lors du branchement du cordon de haut-parleur, tordez bien les fils centraux, et assurez-vous que les fils centraux ne dépassent pas des prises de haut-parleur. Les fils centraux qui dépassent des prises de haut-parleur peuvent entrer en contact avec le panneau arrière ou entre eux. Ceci peut entraîner une charge excessive sur l'amplificateur, provoquant ainsi un arrêt ou un dysfonctionnement.
- Si les polarités sont inversées (+, -) sur les côtés GAUCHE et DROIT lors du branchement du cordon de haut-parleur GAUCHE et DROIT, l'effet stéréo normal ne peut plus être obtenu.

# Informations supplémentaires

## En cas de panne

- Parfois, le problème peut provenir d'un autre composant. Examinez les autres composants et les appareils électriques utilisés. Si le problème ne peut pas être résolu, contactez votre service après-vente agréé Pioneer ou votre revendeur pour une réparation.
- De l'électricité statique ou des facteurs externes ont peut être déréglé cet appareil. Dans ce cas, le fonctionnement normal de l'appareil peut éventuellement être rétabli en débranchant le cordon d'alimentation, attendant 5 secondes ou plus, puis rebranchant le cordon d'alimentation.

Problème	Vérification	Solution
L'appareil ne s'allume pas.	Est-ce que le cordon d'alimentation est correctement raccordé ?	Branchez le cordon d'alimentation sur une prise secteur.
Aucun son ne provient de l'appareil connecté ou le son est faible.	L'appareil connecté est-il correctement défini ?	Définissez l'entrée externe et le volume de l'appareil correctement.
	Est-ce que les câbles de liaison sont correctement raccordés ?	Raccordez correctement les câbles de liaison.
	Est-ce que les prises et fiches sont sales ?	Nettoyez les prises et les fiches avant d'effectuer les raccordements.
	Le réglage du volume est-il dans la position appropriée ?	Tournez la commande <b>[LEVEL]</b> sur le panneau avant de cette unité dans le sens horaire pour augmenter le volume.
Le voyant POWER (blanc) ne s'allume pas.	L'alimentation est-elle activée ?	Tournez le commutateur <b>[POWER]</b> sur le panneau arrière de cette unité.
	L'alimentation est-elle activée ?	Tournez le commutateur <b>[POWER]</b> sur le panneau arrière de cette unité.
Cette unité ne ressort pas de l'état de veille (mise en veille).	Les haut-parleurs sont-ils à l'état de veille ?	Désactivez une fois le commutateur <b>[POWER]</b> sur le panneau arrière de cette unité, puis réactivez-le après quelques secondes.
	Le niveau du signal d'entrée est-il faible ?	Augmentez le niveau du signal d'entrée.
Distorsion du son.	Le réglage du volume est-il dans la position appropriée ?	Tournez la commande <b>[LEVEL]</b> sur le panneau avant de cette unité dans le sens antihoraire pour réduire le volume.
	Le niveau d'entrée de l'appareil connecté est-il approprié ?	Ajustez correctement le niveau de sortie de l'appareil raccordé.
Oscillations (un son faible est émis en continu).	Le réglage du volume est-il dans la position appropriée ?	Tournez la commande <b>[LEVEL]</b> sur le panneau avant de cette unité dans le sens antihoraire pour réduire le volume.
Le son est restitué uniquement par le haut-parleur gauche.	Le cordon de haut-parleur est-il branché correctement ?	Branchez les haut-parleurs gauche et droit correctement.
Le son est restitué uniquement par un haut-parleur.	L'appareil est-il connecté correctement ?	Connectez l'appareil sur les prises d'entrée gauche et droite.

## À propos des marques commerciales et des marques déposées

- « Pioneer DJ » est une marque déposée de PIONEER CORPORATION qui est utilisée sous licence.
- Les noms de sociétés et de produits mentionnés ici sont des marques commerciales ou des marques déposées de leurs détenteurs respectifs.

## Spécifications

DM-40, DM-40-W	
Modèle	Haut-parleur actif 2 voies
Section d'amplificateur	
Sortie d'amplification	Lch : 21 W/4 Ω, Classe AB
	Rch : 21 W/4 Ω, Classe AB
Prises d'entrée	RCA ×1, mini-jack stéréo de 3,5 mm ×1
Impédance d'entrée	10 kΩ
Prises de sortie	Casque ×1
Section de haut-parleur	
Coffret	Type basse réflex/MDF avec finition vinyle
Caisson (circuit LF)	Cône de 4 pouces (102 mm)
Tweeter (circuit HF)	Dôme souple de 3/4 pouces (19 mm)
Section d'alimentation / Autre	
Tensions acceptées	CA 110 V à 240 V, 50 Hz/60 Hz
Consommation électrique	35 W
Consommation électrique en attente (état de veille)	0,5 W ou moins
Dimensions extérieures (l × H × P)	Lch : 146 mm × 227 mm × 223 mm
	Rch : 146 mm × 227 mm × 210 mm
Poids	Lch : 2,7 kg
	Rch : 2,2 kg

- Les caractéristiques et la présentation peuvent être modifiées, sans avis préalable, dans un souci d'amélioration.
- © 2016 Pioneer DJ Corporation. Tous droits de reproduction et de traduction réservés.

# Pioneer Dj

Pioneer DJ Americas, Inc.

## GARANTIE LIMITÉE

GARANTIE VALABLE UNIQUEMENT AUX ÉTATS-UNIS ET AU CANADA

### GARANTIE

Pioneer DJ Americas, Inc. (PDJA) garantit que les produits distribués par PDJA aux États-Unis ou au Canada qui, bien qu'étant installés et utilisés conformément au Manuel de l'utilisateur fourni avec le produit, ne fonctionneraient pas correctement dans le cadre d'une utilisation normale en raison d'un défaut de fabrication seront réparés ou remplacés par un produit de valeur équivalente, au choix de PDJA, sans frais à votre charge pour les pièces et/ou la main d'œuvre de réparation. Les pièces incluses en vertu de la présente garantie peuvent être neuves ou remises à neuf, au choix de PDJA.

LA PRÉSENTE GARANTIE LIMITÉE S'APPLIQUE AU PROPRIÉTAIRE ORIGINAL AINSI QU'À TOUT PROPRIÉTAIRE SUCCESSIF DE CE PRODUIT PIONEER DJ PENDANT LA PÉRIODE DE GARANTIE À CONDITION QUE LE PRODUIT AIT ÉTÉ ACHETÉ AUPRÈS D'UN DISTRIBUTEUR/DÉTAILLANT PIONEER DJ AGRÉÉ AUX ÉTATS-UNIS OU AU CANADA. VOUS DEVREZ FOURNIR UN RELEVÉ DE CAISSE OU UNE AUTRE PREUVE D'ACHAT VALIDE INDIQUANT LA DATE DE L'ACHAT INITIAL OU, SI VOUS LOUEZ LE PRODUIT, VOTRE CONTRAT DE LOCATION INDIQUANT L'ENDROIT ET LA DATE DE LA PREMIÈRE LOCATION. EN CAS DE BESOIN DE RÉPARATION, LE PRODUIT DOIT ÊTRE RENVOYÉ ET LIVRÉ AU COURS DE LA PÉRIODE DE GARANTIE. FRAIS DE PORT PAYÉS ET UNIQUEMENT DEPUIS L'INTÉRIEUR DES ÉTATS-UNIS, COMME EXPLIQUÉ DANS LE PRÉSENT DOCUMENT. VOUS ÊTES RESPONSABLE DU DÉMONTAGE ET DE L'INSTALLATION DU PRODUIT. PDJA PREND À SA CHARGE LES FRAIS D'EXPÉDITION DU PRODUIT RÉPARÉ OU REMPLACÉ JUSQU'À VOTRE ADRESSE À L'INTÉRIEUR DES ÉTATS-UNIS.

### PÉRIODE DE GARANTIE DES PRODUITS

Pièces Main-d'oeuvre

Moniteur Actif ..... 1 an 1 an

La période de garantie pour les clients qui louent le produit commence le jour où le produit est utilisé pour la première fois (a) pendant la période de location ou (b) après la vente au détail, selon ce qui se produit en premier.

### ÉLÉMENTS NON COUVERTS PAR LA GARANTIE

UN PRODUIT ACHETÉ CHEZ UN DISTRIBUTEUR NON AUTORISÉ N'EST COUVERT PAR AUCUNE GARANTIE EXPRESSE OU IMPLICITE, Y COMPRIS QUELQUE GARANTIE IMPLICITE DE QUALITÉ MARCHANDE OU D'ADAPTATION À UN USAGE PARTICULIER QUE CE SOIT, DE PLUS, CE PRODUIT EST STRICTEMENT VENDU « TEL QUEL » ET « AVEC TOUS SES DÉFAUTS ÉVENTUELS ».

Pioneer DJ NE PEUT PAS ÊTRE TENU RESPONSABLE DES DOMMAGES INDIRECTS ET/OU ACCESSOIRES ÉVENTUELS.

LA PRÉSENTE GARANTIE NE S'APPLIQUE PAS SI LE PRODUIT A ÉTÉ SOUMIS À UNE PUISSANCE NOMINALE EXCÉDANT LA PUISSANCE INDIQUÉE DANS LES SPÉCIFICATIONS FOURNIES.

LA PRÉSENTE GARANTIE NE COUVRE PAS LE BOÎTIER OU LES ÉLÉMENTS ESTHÉTIQUES, LES ANTENNES INSTALLÉES PAR L'UTILISATEUR, LES DOMMAGES AUX DISQUES OU AUX RUBANS OU DISQUES D'ENREGISTREMENT, LES DOMMAGES AU PRODUIT DÉCOULANT D'UNE RETOUCHE, D'UNE MODIFICATION NON AUTORISÉE PAR ÉCRIT PAR Pioneer DJ, D'UN ACCIDENT, D'UN USAGE INAPPROPRIÉ OU D'UN USAGE ABUSIF, LES DOMMAGES PRODUITS PAR LA Foudre ou LA SURTENSION, LES DOMMAGES SUBSÉQUENTS DÉCOULANT DE FUITES, LES DOMMAGES DÉCOULANT DE PILES DÉFECTUEUSES OU DE L'UTILISATION DE PILES NON CONFORMES À CELLES QUI SONT SPÉCIFIÉES DANS LE MANUEL DE L'UTILISATEUR.

LA PRÉSENTE GARANTIE NE COUVRE PAS LE COÛT DES PIÈCES OU DE LA MAIN-D'ŒUVRE QUI SERAIENT AUTREMENT OFFERTES SANS FRAIS EN VERTU DE LA PRÉSENTE GARANTIE, SI ELLES SONT OBTENUES AUPRÈS D'UNE SOURCE AUTRE QU'UNE SOCIÉTÉ DE SERVICE OU AUTRE AUTORISÉE OU DÉSIGNÉE PAR Pioneer DJ. LA PRÉSENTE GARANTIE NE COUVRE PAS LES DÉFECTUOSITÉS OU LES DOMMAGES CAUSÉS PAR L'UTILISATION D'UNE MAIN-D'ŒUVRE OU DE PIÈCES NON AUTORISÉES, ET/OU D'UN ENTRETIEN INADÉQUAT.

LES NUMÉROS DE SÉRIE MODIFIÉS, OBLITÉRÉS OU ENLEVÉS ANNULENT LA PRÉSENTE GARANTIE DANS SA TOTALITÉ.

### EXCLUSION DE TOUTE AUTRE GARANTIE

Pioneer DJ LIMITE SES OBLIGATIONS EN VERTU DE TOUTE GARANTIE IMPLICITE QUE CE SOIT, Y COMPRIS ENTRE AUTRES LES GARANTIES IMPLICITES DE QUALITÉ MARCHANDE OU D'ADAPTATION À UN USAGE PARTICULIER, À UNE PÉRIODE N'EXCÉDANT PAS LA PÉRIODE DE GARANTIE. AUCUNE GARANTIE NE S'APPLIQUE APRÈS LA PÉRIODE DE GARANTIE. CERTAINS ÉTATS NE PERMETTENT PAS LA LIMITATION DE LA DURÉE D'UNE GARANTIE IMPLICITE, ET CERTAINS NE PERMETTENT PAS L'EXCLUSION OU LA LIMITATION DES DOMMAGES CONSÉCUTIFS OU INDIRECTS, LES LIMITATIONS ET EXCLUSIONS ÉTABLIES CI-DESSUS PEUVENT DONC NE PAS S'APPLIQUER À VOUS. LA PRÉSENTE GARANTIE VOUS DONNE DES DROITS LÉGAUX SPÉCIFIQUES. VOUS POUVEZ JOUIR D'AUTRES DROITS, QUI PEUVENT VARIER D'UN ÉTAT À L'AUTRE.

### SERVICE APRÈS-VENTE

PDJA a autorisé un certain nombre de sociétés de service après-vente agréées à travers les États-Unis et le Canada pour le cas où votre produit aurait besoin d'être réparé. Pour profiter d'un tel service en vertu de la garantie, vous devez présenter votre ticket de caisse ou, si vous louez le produit, votre contrat de location indiquant l'endroit et la date de la transaction par le premier propriétaire. Si vous expédiez le produit, vous devez l'emballer soigneusement et l'envoyer à une société de service autorisée, en port prépayé et selon une méthode de transport incluant un suivi et une assurance. Emballez le produit au moyen de matériaux de rembourrage appropriés pour éviter tout dommage pendant le transport. L'emballage d'origine est idéal pour cela. Indiquez votre nom, votre adresse et un numéro de téléphone où nous pouvons vous joindre pendant les heures de bureau.

Pour toute réclamation et/ou question à l'intérieur des États-Unis ou du Canada, appelez le Service Consommateurs au 1-800-872-4159.

Pour toute question concernant la mise en service ou l'utilisation de votre produit, ou pour trouver une société de service autorisée, appelez ou écrivez à :

CUSTOMER SUPPORT  
PIONEER ELECTRONICS (USA) INC.  
P.O. BOX 1720  
LONG BEACH, CALIFORNIA 90801  
1-800-872-4159  
<http://www.pioneerelectronics.com>

### RÉSOLUTION DES LITIGES

Si un litige se produit entre vous et Pioneer DJ après la réponse à une demande initiale faite au Service Consommateurs, vous pouvez avoir recours au Programme de résolution des plaintes de Pioneer DJ pour résoudre le litige. Le Programme de résolution des plaintes vous est offert gratuitement. Vous devez avoir recours au Programme de résolution des plaintes avant de vous prévaloir de vos droits ou de chercher réparation en vertu du Titre I de la Loi Magnuson-Moss Warranty-Federal Trade Commission Improvement Act, 15 U.S.C. 2301 et seq. Pour utiliser le Programme de résolution des plaintes, appelez le 1-800-872-4159 et expliquez au représentant du Service Consommateurs le problème que vous rencontrez ainsi que les démarches que vous avez effectuées pour faire réparer le produit pendant la période de garantie, puis communiquez-lui le nom du distributeur/détaillant autorisé auprès duquel vous avez acheté le produit Pioneer DJ. Une fois que votre plainte a été expliquée au représentant, un numéro de résolution vous sera communiqué. Pioneer DJ étudiera votre plainte et, dans un délai de quarante (40) jours après la réception de votre plainte, (1) répondra à votre plainte par écrit pour vous aviser des démarches qui seront entreprises pour résoudre le conflit, et indiquera combien de temps ces démarches prendront; ou (2) répondra à votre plainte par écrit pour vous indiquer les raisons pour lesquelles aucune démarche ne sera entreprise.

NOTEZ ET CONSERVEZ LE LIEU ET LA DATE D'ACHAT POUR RÉFÉRENCE ULTÉRIEURE

N° de modèle : \_\_\_\_\_ N° de Série : \_\_\_\_\_  
Date d'achat : \_\_\_\_\_ Nom du distributeur/détaillant \_\_\_\_\_

PRENEZ SOIN DE CONSERVER CES INFORMATIONS ET VOTRE REÇU D'ACHAT EN LIEU SÛR POUR RÉFÉRENCE ULTÉRIEURE

UCP0116





Vielen Dank, dass Sie sich für dieses Pioneer DJ-Produkt entschieden haben. Bitte lesen Sie diese Bedienungsanleitung gründlich durch, um sich mit der Bedienung des Geräts vertraut zu machen. Nachdem Sie die Bedienungsanleitung gelesen haben, legen Sie sie griffbereit zum Nachschlagen ab.

## ACHTUNG

UM SICH NICHT DER GEFAHR EINES ELEKTRISCHEN SCHLAGES AUSZUSETZEN, DÜRFEN SIE NICHT DEN DECKEL (ODER DIE RÜCKSEITE) ENTFERNEN. IM GERÄTEINNEREN BEFINDEN SICH KEINE VOM BENUTZER REPARIERBAREN TEILE. ÜBERLASSEN SIE REPARATUREN DEM QUALIFIZIERTEN KUNDENDIENST.

D3-4-2-1-1\_B1\_De

## WARNUNG

Dieses Gerät ist nicht wasserdicht. Zur Vermeidung der Gefahr von Brand und Stromschlag keine Behälter mit Flüssigkeiten (z.B. Blumenvasen und -töpfe) in die Nähe des Gerätes bringen und dieses vor Tropfwasser, Spritzwasser, Regen und Nässe schützen.

D3-4-2-1-3\_A1\_De

## WARNUNG

Keine Quellen offener Flammen (z.B. eine brennende Kerze) auf dieses Gerät stellen.

D3-4-2-1-7a\_A1\_De

## Betriebsumgebung

Betriebstemperatur und Betriebsluftfeuchtigkeit:  
+5 °C bis +35 °C, 85 % rel. Feuchte max.  
(Ventilationsschlitze nicht blockiert)

Eine Aufstellung dieses Gerät an einem unzureichend belüfteten, sehr feuchten oder heißen Ort ist zu vermeiden, und das Gerät darf weder direkter Sonneneinstrahlung noch starken Kunstlichtquellen ausgesetzt werden.

D3-4-2-1-7c\*\_A1\_De

## VORSICHTSHINWEIS ZUR BELÜFTUNG

Bei der Aufstellung dieses Gerätes muss für einen ausreichenden Freiraum gesorgt werden, um eine einwandfreie Wärmeabfuhr zu gewährleisten (mindestens 15 cm oberhalb des Gerätes, 15 cm hinter dem Gerät und jeweils 15 cm an der Seite des Gerätes).

D3-4-2-1-7d\*\_A1\_De

## WARNUNG

Im Gerätegehäuse sind Ventilationsschlitze und andere Öffnungen vorgesehen, die dazu dienen, eine Überhitzung des Gerätes zu verhindern und einen zuverlässigen Betrieb zu gewährleisten. Um Brandgefahr auszuschließen, dürfen diese Öffnungen auf keinen Fall blockiert oder mit Gegenständen (z.B. Zeitungen, Tischdecken und Gardinen) abgedeckt werden, und das Gerät darf beim Betrieb nicht auf einem dicken Teppich oder Bett aufgestellt sein.

D3-4-2-1-7b\*\_A1\_De



Mischen Sie dieses Produkt, wenn Sie es entsorgen wollen, nicht mit gewöhnlichen Haushaltsabfällen. Es gibt ein getrenntes Sammelsystem für gebrauchte elektronische Produkte, über das die richtige Behandlung, Rückgewinnung und Wiederverwertung gemäß der bestehenden Gesetzgebung gewährleistet wird.

Privathaushalte in den Mitgliedsstaaten der EU, in der Schweiz und in Norwegen können ihre gebrauchten elektronischen Produkte an vorgesehenen Sammeleinrichtungen kostenfrei zurückgeben oder aber an einen Händler zurückgeben (wenn sie ein ähnliches neues Produkt kaufen).

Bitte wenden Sie sich in den Ländern, die oben nicht aufgeführt sind, hinsichtlich der korrekten Verfahrensweise der Entsorgung an die örtliche Kommunalverwaltung.

Auf diese Weise stellen Sie sicher, dass das zu entsorgende Produkt der notwendigen Behandlung, Rückgewinnung und Wiederverwertung unterzogen wird, und so mögliche negative Einflüsse auf die Umwelt und die menschliche Gesundheit vermieden werden.

K058b\_A1\_De

Dieses Gerät ist für den Heimgebrauch vorgesehen. Falls bei Einsatz zu einem anderem Zweck (z.B. Langzeitgebrauch zu gewerblichen Zwecken in einem Restaurant oder Betrieb in einem Fahrzeug bzw. Schiff) eine Funktionsstörung auftritt, die eine Reparatur des Gerätes erforderlich macht, werden die Reparaturkosten dem Kunden selbst dann in Rechnung gestellt, wenn die Garantiefrist noch nicht abgelaufen ist.

K041\_A1\_De

## VORSICHT MIT DEM NETZKABEL

Fassen Sie das Netzkabel immer am Stecker. Ziehen Sie nicht am Kabel selbst, und fassen Sie das Netzkabel niemals mit nassen Händen an, da dies einen Kurzschluss oder elektrischen Schlag verursachen kann. Stellen Sie nicht das Gerät, Möbelstücke o.ä. auf das Netzkabel; sehen Sie auch zu, dass es nicht eingeklemmt wird. Machen Sie niemals einen Knoten in das Netzkabel, und binden Sie es nicht mit anderen Kabeln. Das Netzkabel sollte so gelegt werden, dass niemand darauf tritt. Ein beschädigtes Netzkabel kann einen Brand oder elektrischen Schlag verursachen. Prüfen Sie das Netzkabel von Zeit zu Zeit. Sollte es beschädigt sein, wenden Sie sich an Ihre nächste Kundendienststelle oder Ihren Händler, um es zu ersetzen.

S002\*\_A1\_De


## Vorsichtshinweis für Modell DM-40, DM-40-W

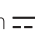
Diesen Lautsprecher ausschließlich an den Verstärker im Lieferumfang dieser Anlage anschließen. Der Anschluss an einen anderen Verstärker kann Funktionsstörungen oder einen Brand verursachen.


SGK006\*\_A1\_De

Dieser Lautsprecher darf auf keinen Fall an einer Wand oder der Decke montiert werden, da er anderenfalls herunterfallen und Verletzungen verursachen kann.

SGK007\_A1\_De

Das auf diesem Produkt angebrachte Piktogramm  verweist auf Wechselstrom.

Das auf diesem Produkt angebrachte Piktogramm  verweist auf Gleichstrom.

Das auf diesem Produkt angebrachte Piktogramm  verweist auf ein Gerät der Klasse II.

D3-8-2-4\_A1\_De

## ACHTUNG

Dieses Produkt wurde unter moderaten Klimabedingungen getestet.

D3-8-2-1-7b\_A1\_De

---

---

# Vor Gebrauch lesen (wichtig)

---

---

## Vor der Inbetriebnahme

---

---

### Merkmale

- Ein Bassreflexrohr an der Vorderseite und die Groove-Technologie erzeugen einen kraftvollen Basston,
- Ein konvexer Diffusor auf einem neu geformten Hornvorsatz verbessert die Richtcharakteristik von Hochfrequenztönen und die Klangdiffusion,
- Kraftvoller Basston und klarere Soundqualität trotz seiner platzsparenden, kompakten Größe.

---

---

### Überprüfen des Zubehörs

- Netzkabel 1x
- Bedienungsanleitung (dieses Dokument)
- Audio-Wandlerkabel (3,5 mm-Stereo-Miniklinkenstecker zu RCA) x 1
- Lautsprecherkabel x 1
- Polster für die Unterseite 8x

---

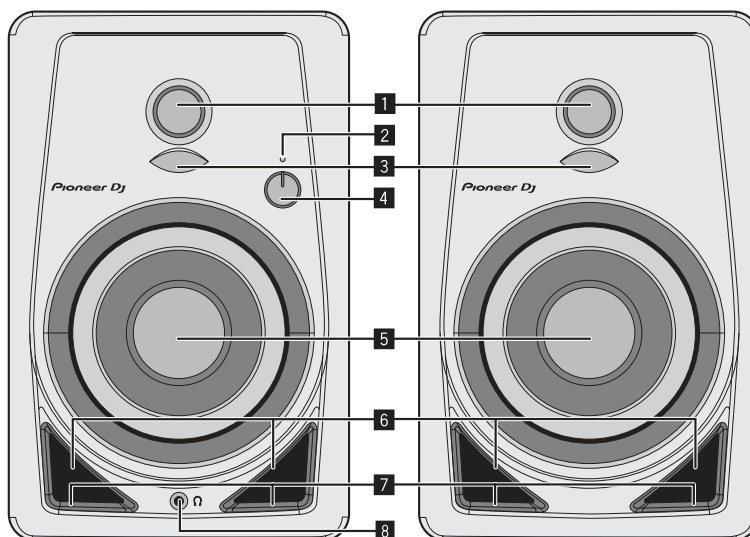
---

## Bezeichnung und Funktion der Teile

---

---

### Frontplatte



**1 3/4 Zoll-Weichkalottenhochtöner**

**2 POWER-Anzeige**

Die Anzeigen leuchten entsprechend des Einschaltzustands. Die Anzeige leuchtet im Standby-Betrieb nicht.

**3 Diffusoren**

Verbessern die Richtcharakteristik von Hochfrequenztönen und die Klangdiffusion.

**4 LEVEL-Regler**

Zum Einstellen der Lautstärke.

**5 4 Zoll-Glasfaser-Subwoofer**

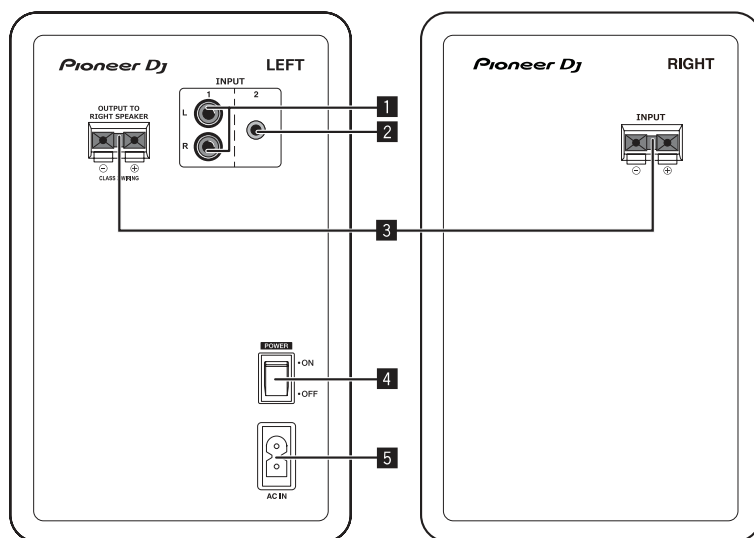
**6 Bassreflexrohr**

**7 Öffnungen**

Reguliert den Luftstrom im Bassreflexrohr zur gleichmäßigen Abstrahlung tiefer Frequenzen.

**8 Kopfhörerbuchse**

Das ist die 3,5 mm-Stereo-Miniklinkenstecker-Ausgangsbuchse. Durch den Anschluss von Kopfhörern wird die Ton der Lautsprecher stumm geschaltet und der Ton wird nur über die Kopfhörer ausgegeben.



## 1 INPUT 1-Buchsen (Stereo)

Bei diesen Chinchbuchsen (RCA) handelt es sich um unsymmetrische Eingangsbuchsen.

## 2 INPUT 2-Buchsen (Stereo)

Bei dieser 3,5 mm-Stereo-MiniKlinkenstecker-Buchse handelt es sich um eine unsymmetrische Eingangsbuchse.

## 3 Buchse für den Lautsprecheranschluss

Verbinden Sie den rechten und linken Lautsprecher mit diesem mitgelieferten Kabel.  
Verbinden Sie diese Lautsprecher nur mit einem Verstärker dieses Systems, Andernfalls kann es zu Beschädigungen oder Brand kommen.

## 4 POWER-Schalter

Schalten Sie die Stromversorgung dieses Geräts ein und aus.

## 5 AC IN

Stecken Sie das Netzkabel in AC IN und dann in die Steckdose.  
Schließen Sie das Netzkabel an, nachdem alle Anschlüsse zwischen den Geräten vorgenommen wurden.  
Verwenden Sie immer das mitgelieferte Netzkabel.

## ACHTUNG

Der **POWER**-Schalter dieses Gerätes trennt das Gerät nicht vollständig vom Stromnetz. Um das Gerät vollständig vom Netz zu trennen, muss der Netzstecker aus der Netzsteckdose gezogen werden. Daher sollte das Gerät so aufgestellt werden, dass stets ein unbehinderter Zugang zur Netzsteckdose gewährleistet ist, damit der Netzstecker in einer Notsituation sofort abgezogen werden kann. Um Brandgefahr auszuschließen, sollte der Netzstecker vor einem längeren Nichtgebrauch des Gerätes, beispielsweise während des Urlaubs, grundsätzlich von der Netzsteckdose getrennt werden.

D3-4-2-2a\*\_A1\_De



## ACHTUNG

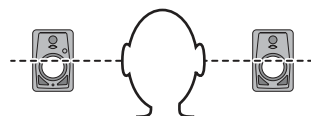
Dieses Produkt verfügt über eine automatische Standby-Funktion. Wenn beim Gebrauch für einen bestimmten Zeitraum (ca. 25 Minuten) kein Ton ausgegeben wird, schaltet das Produkt automatisch die POWER-Anzeige aus und wechselt in den Standby-Betrieb mit niedrigem Stromverbrauch.  
Wenn ein Audiosignal im Standby-Betrieb empfangen wird, wird automatisch der normale Betrieb fortgesetzt.  
Die automatische Standby-Funktion kann nicht deaktiviert werden.

# Installation und Anschlüsse

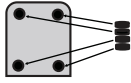
## Installationsverfahren

Der Wiedergabeklang eines Lautsprechers wird durch die akustischen Verhältnisse im Hörraum beeinflusst. Bitte berücksichtigen Sie vor Beginn der Installation sorgfältig die Bedingungen am Aufstellungsort, um eine optimale Hörumgebung zu kreieren.

- Stellen Sie die Lautsprecher auf Ohrenhöhe auf.
- Um einen natürlich wirkenden Stereoeffekt zu erzielen, sollten der rechte und der linke Lautsprecher an einer symmetrischen Position jeweils im gleichen Abstand von der Hörposition aufgestellt werden.



- Befestigen Sie die mitgelieferten Polster als Schutz vor Rutschen an der Unterseite des Geräts.

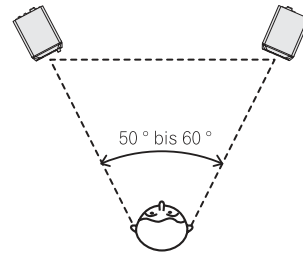


## WARNUNG

Kleine Teile außerhalb der Reichweite von Kleinkindern und Kindern aufbewahren. Bei unbeabsichtigtem Verschlucken ist unverzüglich ein Arzt aufzusuchen.

D41-6-4\_A1\_De

- Stellen Sie die Lautsprecher so auf, dass diese nach innen zeigen und insgesamt einen Winkel von 60 Grad von der Hörposition aufweisen, d. h. jeweils in einem Winkel von 30 Grad für den linken und rechten Lautsprecher.



## ACHTUNG

Um eine einwandfreie Wärmeabfuhr zu gewährleisten, sollte ein ausreichender Abstand zwischen den Lautsprechern und Wänden und anderen Komponenten eingehalten werden (mindestens jeweils mindestens 15 cm oberhalb und hinter jedem Lautsprecher sowie auf beiden Seiten). Falls die Lautsprecher zu nah nebeneinander, an einer Wand oder anderen Komponenten aufgestellt werden, führt dies möglicherweise zu einem Anstieg der Innentemperatur, der eine Funktionsstörung oder Beschädigung zur Folge haben kann.

## Anschlüsse

- Schalten Sie die Stromversorgung aus und ziehen Sie das Netzkabel aus der Netzsteckdose, bevor Sie Geräte anschließen oder die Anschlüsse ändern.
- Beachten Sie die Bedienungsanleitung der angeschlossenen Komponente.
- Schließen Sie das Netzkabel an, nachdem alle Anschlüsse zwischen den Geräten vorgenommen wurden.
- Verwenden Sie immer das mitgelieferte Netzkabel.
- Stellen Sie die Lautstärke auf einen geeigneten Pegel, da die Eingangssignale für die [INPUT 1]-Buchse und die [INPUT 2]-Buchse gemischt werden.

## Kabel anschließen

Verbinden Sie das mitgelieferte Lautsprecherkabel mit den Lautsprechern.

### 1 Sie müssen den Anfang des mitgelieferten Lautsprecherkabels auf ca. 1 cm abisolieren. Entflechten Sie die freigelegte Isolierung und entfernen Sie diese.

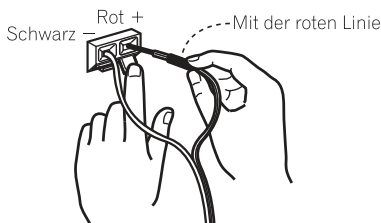
Nachdem Sie die Isolierung entfernt haben, verdrillen Sie sorgfältig die Kerndrähte.



### 2 Verbinden Sie das mitgelieferte Lautsprecherkabel mit den Lautsprecherbuchsen auf der LINKEN und RECHTEN Seite.

### 3 Führen Sie die Kerndrähte in die Buchsen ein, indem Sie auf die Klemme an der Lautsprecherbuchse drücken.

Verbinden Sie das Lautsprecherkabel mit der roten Linie mit der Buchse + (rot) und das Lautsprecherkabel ohne die rote Linie mit der Buchse - (schwarz).



## ACHTUNG

- Nach dem Anschluss ziehen Sie leicht am Kabel, um sicherzustellen, dass der Anfang der Lautsprecherkabel sicher in den Buchsen befestigt ist. Eine lose Verbindung kann dazu führen, dass die Audio-Ausgabe unterbrochen wird oder Störgeräusche ausgegeben werden.
- Beim Anschluss des Lautsprecherkabels müssen Sie die Kerndrähte sorgfältig verdrillen. Achten Sie darauf, dass die Kerndrähte nicht aus den Lautsprecherbuchsen hervorragen. Kerndrähte, die aus den Lautsprecherbuchsen hervorragen, können in Kontakt mit der Rückseite kommen oder sich gegenseitig berühren. Dadurch kann es zu einer übermäßigen Last auf den Verstärker kommen, so dass der Betrieb unterbrochen wird oder es zu einer Fehlfunktion kommt.
- Bei einem Fehler der Polarität (+, -) auf der LINKEN und RECHTEN Seite beim Anschluss der LINKEN und RECHTEN Lautsprecherkabel kann der normale Stereosound nicht erreicht werden.

# Zusätzliche Informationen

## Störungssuche

- Manchmal wird das Problem auch durch ein externes Gerät verursacht. Überprüfen Sie die anderen verwendeten Komponenten und elektrischen Geräte. Wenn Sie das Problem nicht beheben können, wenden Sie sich an die nächste Pioneer-Kundendienststelle oder an Ihren Händler zum Ausführen der Reparaturarbeit.
- Dieses Gerät kann möglicherweise aufgrund von statischer Elektrizität oder anderen externen Einflüssen nicht richtig arbeiten. In diesem Fall kann normaler Betrieb durch Abziehen des Netzsteckers, mindestens 5 Sekunden Warten und erneutes Einstecken wieder hergestellt werden.

Problem	Prüfen	Abhilfe
Das Gerät schaltet nicht ein.	Ist das Netzkabel richtig angeschlossen?	Stecken Sie den Netzstecker in eine Netzsteckdose.
	Ist das angeschlossene Gerät richtig eingerichtet?	Stellen Sie den externen Eingang des Geräts und die Lautstärke richtig ein.
	Sind die Verbindungskabel richtig angeschlossen?	Schließen Sie die Verbindungskabel richtig an.
Es wird kein Ton vom angeschlossenen Gerät ausgegeben oder der Ton ist leise.	Sind Buchsen und Stecker verschmutzt?	Reinigen Sie Buchsen und Stecker vor dem Herstellen von Verbindungen.
	Ist die Lautstärke auf die richtige Position gestellt?	Drehen Sie den <b>[LEVEL]</b> -Regler auf der Vorderseite dieses Geräts im Uhrzeigersinn, um die Lautstärke zu erhöhen.
	Ist die Stromzufuhr eingeschaltet?	Drehen Sie den <b>[POWER]</b> -Schalter an der Rückseite des Geräts.
Die POWER-Anzeige (weiß) leuchtet nicht auf.	Ist die Stromzufuhr eingeschaltet?	Drehen Sie den <b>[POWER]</b> -Schalter an der Rückseite des Geräts.
	Befinden sich die Lautsprecher im Standby-Betrieb?	Schalten Sie den <b>[POWER]</b> -Schalter auf der Vorderseite dieses Geräts einmal aus und nach einigen Sekunden wieder an.
Das Gerät wechselt vom Standby-Betrieb nicht in den normalen Betrieb.	Ist der Eingangssignalpegel zu niedrig?	Erhöhen Sie den Eingangssignalpegel.
	Ist die Lautstärke auf die richtige Position gestellt?	Drehen Sie den <b>[LEVEL]</b> -Regler auf der Vorderseite dieses Geräts gegen den Uhrzeigersinn, um die Lautstärke zu verringern.
Verzerrter Ton.	Ist der Eingangspegel des angeschlossenen Geräts richtig eingestellt?	Stellen Sie den Ausgangspegel des angeschlossenen Geräts richtig ein.
	Ist die Lautstärke auf die richtige Position gestellt?	Drehen Sie den <b>[LEVEL]</b> -Regler auf der Vorderseite dieses Geräts gegen den Uhrzeigersinn, um die Lautstärke zu verringern.
Es wird ständig Ton in hoher Lautstärke ausgegeben (Oszillation).	Ist die Lautstärke auf die richtige Position gestellt?	Drehen Sie den <b>[LEVEL]</b> -Regler auf der Vorderseite dieses Geräts gegen den Uhrzeigersinn, um die Lautstärke zu verringern.
Es wird nur Ton vom linken Lautsprecher ausgegeben.	Ist das Lautsprecherkabel richtig angeschlossen?	Schließen Sie den linken und rechten Lautsprecher richtig an.
Der Ton wird nur von einem Lautsprecher ausgegeben.	Ist das Gerät richtig angeschlossen?	Schließen Sie das Gerät an die linke und rechte Eingangsbuchse an.

## Über Markenzeichen und eingetragene Markenzeichen

- "Pioneer DJ" ist ein Markenzeichen der PIONEER CORPORATION und wird unter Lizenz verwendet.
- Die hier erwähnten Produkt- oder Firmennamen sind Marken oder eingetragene Marken der jeweiligen Eigentümer.

## Technische Daten

DM-40, DM-40-W	
Modell	2-Wege-Aktivlautsprecher
Verstärkerbereich	
Verstärkerausgang	Linker Kanal: 21 W/4 Ω, Klasse AB Rechter Kanal: 21 W/4 Ω, Klasse AB
Eingangsbuchsen	RCA × 1, 3,5 mm-Stereo-Miniklinkenstecker × 1
Eingangsimpedanz	10 kΩ
Ausgangsbuchsen	Kopfhörer × 1
Lautsprecherbereich	
Gehäuse	Bassreflex/Vinylaminierendes MDF
Subwoofer (LF-Treiber)	4 Zoll-Konus (102 cm)
Hochtöner (HF-Treiber)	3/4 Zoll-Weichkalotte (19 mm)
Stromversorgungsbereich/Sonstiges	
Unterstützte Spannungen	110 V bis 240 V Wechselspannung, 50 Hz/60 Hz
Leistungsaufnahme	35 W
Leistungsaufnahme im Standby-Betrieb	0,5 W oder weniger
Außenabmessungen B x H x T	Linker Kanal: 146 mm × 227 mm × 223 mm
	Rechter Kanal: 146 mm × 227 mm × 210 mm
Gewicht	Linker Kanal: 2,7 kg
	Rechter Kanal: 2,2 kg

- Änderungen der technischen Daten und das Design dieses Geräts ohne vorherige Ankündigung bleiben vorbehalten.
- © 2016 Pioneer DJ Corporation. Alle Rechte vorbehalten.



Vi ringraziamo per avere acquistato questo prodotto Pioneer DJ.  
Vi preghiamo di leggere queste istruzioni per l'uso in modo da sapere usare correttamente il proprio modello.  
Dopo aver letto queste istruzioni, riporle in un luogo sicuro per poterle consultare di nuovo al momento del bisogno.

## ATTENZIONE

PER EVITARE IL RISCHIO DI SCOSSE ELETTRICHE, NON RIMUOVERE IL COPERCHIO (O IL RETRO). NON CI SONO PARTI INTERNE LA CUI MANUTENZIONE POSSA ESSERE EFFETTUATA DALL'UTENTE. IN CASO DI NECESSITÀ, RIVOLGERSI ESCLUSIVAMENTE A PERSONALE DI SERVIZIO QUALIFICATO.

D3-4-2-1-1\_B2\_It

## ATTENZIONE

Questo apparecchio non è impermeabile. Per prevenire pericoli di incendi o folgorazioni, non posizionare nelle vicinanze di questo apparecchio contenitori pieni di liquidi (quali vasi da fiori, o simili), e non esporre l'apparecchio a sgoccioli, schizzi, pioggia o umidità.

D3-4-2-1-3\_A1\_It

## ATTENZIONE

Per evitare il pericolo di incendi, non posizionare sull'apparecchio dispositivi con fiamme vive (ad esempio una candela accesa, o simili).

D3-4-2-1-7a\_A1\_It

## Condizioni ambientali di funzionamento

Gamma ideale della temperatura ed umidità dell'ambiente di funzionamento:

da +5 °C a +35 °C, umidità relativa inferiore all'85 % (fessure di ventilazione non bloccate)

Non installare l'apparecchio in luoghi poco ventilati, o in luoghi esposti ad alte umidità o alla diretta luce del sole (o a sorgenti di luce artificiale molto forti).

D3-4-2-1-7c\*\_A1\_It

## AVVERTENZA PER LA VENTILAZIONE

Installare l'apparecchio avendo cura di lasciare un certo spazio all'intorno dello stesso per consentire una adeguata circolazione dell'aria e migliorare la dispersione del calore (almeno 15 cm sulla parte superiore, 15 cm sul retro, e 15 cm su ciascuno dei lati).

D3-4-2-1-7d\*\_A1\_It

## ATTENZIONE

L'apparecchio è dotato di un certo numero di fessure e di aperture per la ventilazione, allo scopo di garantirne un funzionamento affidabile, e per proteggerlo dal surriscaldamento. Per prevenire possibili pericoli di incendi le aperture non devono mai venire bloccate o coperte con oggetti vari (quali giornali, tovaglie, tende o tendaggi, ecc.), e l'apparecchio non deve essere utilizzato appoggiandolo su tappeti spessi o sul letto.

D3-4-2-1-7b\*\_A1\_It

Questo prodotto è destinato esclusivamente all'uso domestico. Eventuali disfunzioni dovute ad usi diversi (quali uso prolungato a scopi commerciali, in ristoranti, o uso in auto o su navi) e che richiedano particolari riparazioni, saranno a carico dell'utente, anche se nel corso del periodo di garanzia.

K041\_A1\_It

## AVVERTIMENTO RIGUARDANTE IL FILO DI ALIMENTAZIONE

Prendete sempre il filo di alimentazione per la spina. Non tiratelo mai agendo per il filo stesso e non toccate mai il filo con le mani bagnate, perchè questo potrebbe causare cortocircuiti o scosse elettriche. Non collocate l'unità, oppure dei mobili sopra il filo di alimentazione e controllate che lo stesso non sia premuto. Non annodate mai il filo di alimentazione nè collegatelo con altri fili. I fili di alimentazione devono essere collocati in tal modo che non saranno calpestati. Un filo di alimentazione danneggiato potrebbe causare incendi o scosse elettriche. Controllate il filo di alimentazione regolarmente. Quando localizzate un eventuale danno, rivolgetevi al più vicino centro assistenza oppure al vostro rivenditore per la sostituzione del filo di alimentazione.

S002\*\_A1\_It

## Precauzioni per i modelli DM-40, DM-40-W

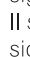
Non collegate questo altoparlante ad un amplificatore che non sia quello fornito assieme a questo sistema. Il collegamento con amplificatori di altro tipo può risultare in malfunzionamenti o incendi.

SGK006\*\_A1\_It

Non applicare questi diffusori ad un muro o al soffitto, dato che possono causare ferimenti in caso di caduta.

SGK007\_A1\_It

Il simbolo grafico  stampigliato sul prodotto significa corrente alternata.

Il simbolo grafico  stampigliato sul prodotto significa corrente continua.

Il simbolo grafico  stampigliato sul prodotto significa apparecchio di Classe II.

D3-8-2-4\_A1\_It

## AVVERTENZA

Questo prodotto è stato collaudato in condizioni di clima moderato.

D3-8-2-1-7b\_A1\_It



Se si vuole eliminare questo prodotto, non gettarlo insieme ai rifiuti domestici. Esiste un sistema di raccolta differenziata in conformità alle leggi che richiedono appositi trattamenti, recupero e riciclo.

I privati cittadini dei paesi membri dell'UE, di Svizzera e Norvegia, possono restituire senza alcun costo i loro prodotti elettronici usati ad appositi servizi di raccolta o a un rivenditore (se si desidera acquistarne uno simile).

Per i paesi non citati qui sopra, si prega di prendere contatto con le autorità locali per il corretto metodo di smaltimento.

In questo modo, si è sicuri che il proprio prodotto eliminato subirà il trattamento, il recupero e il riciclo necessari per prevenire gli effetti potenzialmente negativi sull'ambiente e sulla vita dell'uomo.

K058b\_A1\_It



# Da leggere prima dell'uso (Importante)

## Prima di cominciare

### Caratteristiche

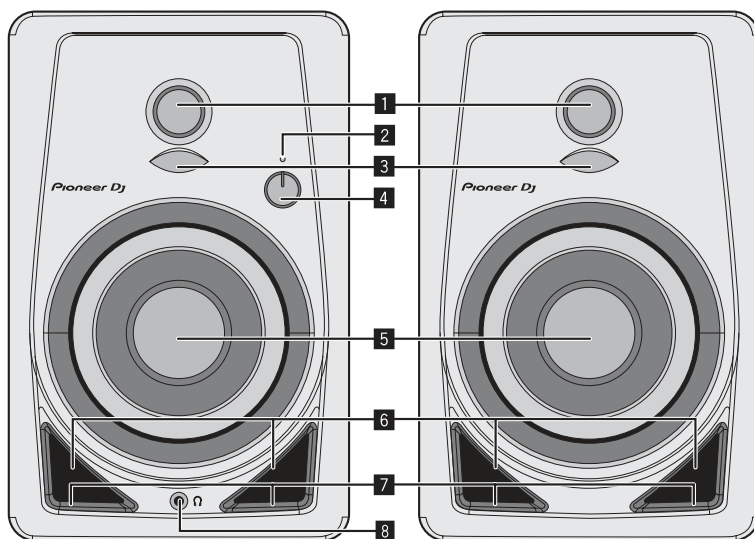
- Un condotto bass reflex nella parte anteriore unito alla tecnologia Groove per una grande potenza sonora dei kick.
- La nuova forma a guida d'onda del diffusore convesso migliora la direttività acustica delle alte frequenze e offre una sonorità spaziosa.
- Nonostante le sue dimensioni compatte da scrivania, offre bassi profondi e una qualità sonora più chiara.

### Controllo degli accessori

- Cavo di alimentazione x1
- Istruzioni per l'uso (questo documento)
- Cavo adattatore audio (da spina mini stereo da 3,5 mm a RCA) x1
- Cavo diffusore x 1
- Cuscinetti per la base x8

## Nomi e funzioni delle parti

### Pannello anteriore



#### 1 Tweeter a cupola morbida da 3/4 di pollice

#### 2 Indicatore POWER

L'illuminazione è collegata all'attivazione/disattivazione dell'alimentazione. L'indicatore è spento in stato di standby.

#### 3 Diffusori

Migliorano la direttività delle frequenze alte dell'audio e conferiscono spazialità al suono.

#### 4 Controllo LEVEL

Regola il volume.

#### 5 Woofer in fibra di vetro da 4 pollici

#### 6 Canali bass reflex

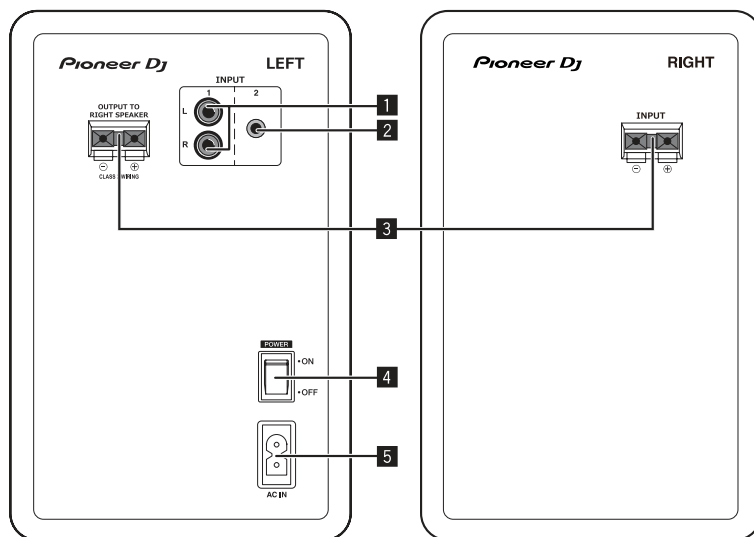
#### 7 Scanalature

Regolano il flusso dell'aria dei canali bass reflex per irradiare le frequenze basse in modo più fluido.

#### 8 Terminale per cuffie

Terminale di uscita tipo spina mini stereo da 3,5 mm. Quando si collegano le cuffie, il suono trasmesso dai diffusori viene silenziato e l'audio viene trasmesso esclusivamente dalle cuffie.

## Pannello posteriore



### 1 Terminali INPUT 1 (stereo)

Terminali di ingresso non bilanciati a spinotto RCA.

### 2 Terminali INPUT 2 (stereo)

Terminale di ingresso non bilanciato tipo spina mini stereo da 3,5 mm.

### 3 Connettori di collegamento dei diffusori

Collegare i diffusori sinistro e destro utilizzando i cavi acclusi. Non collegare i diffusori a un amplificatore diverso da quello di questo sistema. Altrimenti, potrebbero verificarsi danni o incendi.

### 4 Interruttore POWER

Accende e spegne questa unità.

### 5 AC IN

Collegare il cavo di alimentazione al connettore AC IN e quindi alla presa di corrente.

Collegare il cavo di alimentazione dopo che tutti i collegamenti fra dispositivi sono stati fatti.

Usare solo il cavo di alimentazione accluso.

### AVVERTENZA

L'interruttore principale (**POWER**) dell'apparecchio non stacca completamente il flusso di corrente elettrica dalla presa di corrente alternata di rete. Dal momento che il cavo di alimentazione costituisce l'unico dispositivo di distacco dell'apparecchio dalla sorgente di alimentazione, il cavo stesso deve essere staccato dalla presa di corrente alternata di rete per sospendere completamente qualsiasi flusso di corrente. Verificare quindi che l'apparecchio sia stato installato in modo da poter procedere con facilità al distacco del cavo di alimentazione dalla presa di corrente, in caso di necessità. Per prevenire pericoli di incendi, inoltre, il cavo di alimentazione deve essere staccato dalla presa di corrente alternata di rete se si pensa di non utilizzare l'apparecchio per periodi di tempo relativamente lunghi (ad esempio, durante una vacanza).

D3-4-2-2-2a\*\_A1\_It



### ATTENZIONE

Questo prodotto è dotato di una funzione di standby automatico. Se l'assenza di audio continua per il periodo predefinito (circa 25 minuti) durante l'uso, il prodotto disattiva automaticamente l'indicatore POWER e passa in stato di standby con basso consumo energetico.

Se viene ricevuto segnale audio mentre l'unità è in stato di standby, il prodotto si riaccende automaticamente.

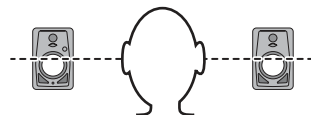
Non è possibile disattivare questa funzione di standby automatico.

# Installazione e collegamenti

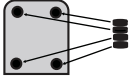
## Procedura di installazione

La riproduzione di un diffusore viene influenzata dalle condizioni presenti nella stanza di ascolto. Per ottenere condizioni di ascolto ottimali, tenere in considerazione le caratteristiche di ambiente prima di iniziare l'installazione.

- Posizionare i diffusori a livello degli orecchi.
- Per ottenere un effetto stereo naturale, installare i diffusori di sinistra e destra in posizioni simmetriche ed equidistanti dalla posizione di ascolto.



- Applicare i cuscinetti in dotazione nella parte inferiore dell'unità per prevenire gli scivolamenti.

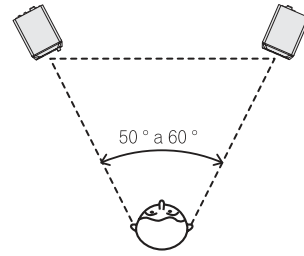


## ATTENZIONE

Conservare i piccoli ricambi fuori dalla portata dei bambini e dei beb . Se inghiottiti accidentalmente, recarsi immediatamente dal medico.

D41-6-4\_A1\_It

- Installare i diffusori rivolti verso l'interno, con un'angolazione totale di 60 gradi rispetto alla posizione di ascolto, ottenuta angolando di 30 gradi i diffusori destro e sinistro.



## ⚠ ATTENZIONE

Per agevolare il corretto raffreddamento, assicurarsi di riservare spazio sufficiente tra i diffusori e le pareti circostanti o gli altri componenti (minimo 15 cm in alto, indietro, e sul lato destro e sinistro di ciascun diffusore). Se non si lascia spazio insufficiente tra i diffusori e le pareti o gli altri componenti, le temperature interne potrebbero salire eccessivamente, provocando malfunzionamenti o danni.

## Collegamenti

- Prima di fare o modificare collegamenti, non mancare di spegnere l'apparecchio e di scollegare il cavo di alimentazione.
- Consultare le istruzioni per l'uso del componente da collegare.
- Collegare il cavo di alimentazione dopo che tutti i collegamenti fra dispositivi sono stati fatti.

- Usare solo il cavo di alimentazione accluso.
- Fare attenzione al volume perch  i segnali ricevuti dai terminali **[INPUT 1]** e **[INPUT 2]** vengono missati.

## Cavi di collegamento

Collegare i cavi di collegamento dei diffusori acclusi ai diffusori.

### 1 Incidere leggermente per circa 1 cm l'estremit  dei cavi per diffusori, ruotare e rimuovere il rivestimento isolante.

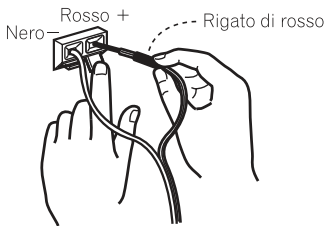
Dopo aver rimosso il rivestimento isolante, attorcigliare con cura i fili conduttori.



### 2 Collegare i cavi di collegamento dei diffusori acclusi ai terminali dei diffusori sui lati SINISTRO e DESTRO.

### 3 Inserire i fili conduttori nei terminali mentre si tiene premuto il fermo sui terminali dei diffusori.

Collegare il cavo del diffusore rigato di rosso al lato del terminale + (rosso) e il cavo del diffusore non rigato di rosso al lato del terminale - (nero).



## ⚠ ATTENZIONE

- Dopo aver collegato i terminali, tirare delicatamente i cavi dei diffusori per accertarsi che le estremit  dei cavi dei diffusori siano saldamente collegate ai terminali. Un collegamento non saldo potrebbe provocare interruzioni della trasmissione dell'audio o emissione di rumore.
- Quando si collegano i cavi dei diffusori, attorcigliare con cura i fili conduttori e accertarsi che i fili conduttori non sporgano dai terminali dei diffusori. Se i fili conduttori sporgono dai terminali dei diffusori, potrebbero entrare in contatto tra di loro o con il pannello posteriore. Ci  potrebbe sottoporre l'amplificatore a carico eccessivo, con possibili malfunzionamenti o interruzioni dell'audio.
- Se si provocano errori relativi alla polarit  (+, -) sui lati SINISTRO e DESTRO quando si collegano i cavi dei diffusori SINISTRO e DESTRO, potrebbe non essere possibile ottenere il normale effetto stereo.

# Informazioni aggiuntive

## Diagnostica

- A volte il problema risiede in un altro componente. Controllare tutti i componenti ed apparecchi elettronici usati. Se il problema non può venire eliminato, chiedere assistenza tecnica al più vicino centro assistenza o rivenditore autorizzato Pioneer.
- Questa unità può non funzionare a causa di elettricità statica o altre influenze esterne. In tal caso, essa torna alla normalità scollegando il cavo di alimentazione, attendendo 5 secondi o più, quindi ricollegando il cavo.

Problema	Controllare	Rimedio
L'apparecchio non è acceso.	Il cavo di alimentazione è collegato correttamente?	Collegare il cavo di alimentazione ad una presa di c.a.
Non viene emesso alcun suono dai dispositivi collegati o il volume è basso.	Il dispositivo collegato è configurato correttamente?	Configurare correttamente l'ingresso per il dispositivo esterno e il volume.
	I cavi di collegamento sono collegati correttamente?	Collegare correttamente i cavi di collegamento.
	I terminali o gli spinotti sono sporchi?	Pulire i terminali e gli spinotti prima di procedere con i collegamenti.
	Il volume è in posizione corretta?	Girare in senso orario il comando <b>[LEVEL]</b> sul pannello anteriore di questa unità per aumentare il volume.
L'indicatore POWER (bianco) non si accende.	L'alimentazione è collegata?	Premere l'interruttore <b>[POWER]</b> sul pannello posteriore del diffusore.
	L'alimentazione è collegata?	Premere l'interruttore <b>[POWER]</b> sul pannello posteriore del diffusore.
L'unità non si riprende dallo stato di standby (non si riaccende).	I diffusori sono in stato di standby?	Spegnerne l'interruttore <b>[POWER]</b> sul pannello posteriore di questa unità e quindi riaccenderlo dopo alcuni secondi.
	Il livello del segnale in ingresso è troppo basso?	Aumentare il livello del segnale in ingresso.
Audio distorto.	Il volume è in posizione corretta?	Girare in senso antiorario il comando <b>[LEVEL]</b> sul pannello anteriore di questa unità per ridurre il volume.
	Il livello del segnale in ingresso dal dispositivo collegato è corretto?	Regolare il livello di uscita del dispositivo collegato.
Oscillazioni (viene emesso continuamente suono rumoroso).	Il volume è in posizione corretta?	Girare in senso antiorario il comando <b>[LEVEL]</b> sul pannello anteriore di questa unità per ridurre il volume.
Il suono viene emesso solo dal diffusore sinistro.	I cavi dei diffusori sono collegati correttamente?	Collegare correttamente i diffusori destro e sinistro.
Il suono viene emesso solo da un diffusore.	Il dispositivo è collegato correttamente?	Collegare il dispositivo ai terminali di ingresso sia destro che sinistro.

## A proposito dei marchi di fabbrica o marchi di fabbrica depositati

- "Pioneer DJ" è un marchio di PIONEER CORPORATION e viene riportato su licenza.
- I nomi delle aziende e dei prodotti menzionati sono marchi di fabbrica o marchi di fabbrica depositati dei rispettivi proprietari.

## Dati tecnici

DM-40, DM-40-W	
Modello	Diffusore attivo a 2 vie
Sezione amplificatore	
Potenza amplificatore	C. Sx: 21 W/4 $\Omega$ , Classe AB C. Dx: 21 W/4 $\Omega$ , Classe AB
Terminali di ingresso	RCA $\times$ 1, spina mini stereo da 3,5 mm $\times$ 1
Impedenza di ingresso	10 k $\Omega$
Terminali di uscita	Cuffie $\times$ 1
Sezione diffusori	
Cassa	Tipo bass reflex/MDF in vinile laminato
Woofer (driver LF)	Cono da 4 pollici (102 mm)
Tweeter (driver HF)	Cupola morbida da 3/4 di pollice (19 mm)
Sezione alimentazione / altro	
Tensioni supportate	CA da 110 V a 240 V, 50 Hz/60 Hz
Consumo di corrente	35 W
Consumo di corrente in sospensione (in stato di standby)	0,5 W o meno
Dimensioni esterne L $\times$ A $\times$ P	C. Sx: 146 mm $\times$ 227 mm $\times$ 223 mm
	C. Dx: 146 mm $\times$ 227 mm $\times$ 210 mm
Peso	C. Sx: 2,7 kg
	C. Dx: 2,2 kg

- I dati tecnici ed il design di questo prodotto sono soggetti a modifiche senza preavviso.
- © 2016 Pioneer DJ Corporation. Tutti i diritti riservati.



Hartelijk dank voor uw aankoop van dit Pioneer DJ product. Lees deze gebruiksaanwijzing aandachtig door om bekend te raken met de juiste bediening van uw apparaat. Na het doorlezen van de gebruiksaanwijzing dient u deze te bewaren op een veilige plaats, voor latere naslag.

## LET OP

OM HET GEVAAR VOOR EEN ELEKTRISCHE SHOCK TE VOORKOMEN, DEKSEL (OF RUG) NIET VERWIJDEREN. AAN DE BINNENZIJDE BEVINDEN ZICH GEEN ELEMENTEN DIE DOOR DE GEBRUIKER KUNNEN BEDIEND WORDEN. ENKEL DOOR GEKWALIFICEERD PERSONEEL TE BEDIENEN.

D3-4-2-1-1\_B2\_NI

## WAARSCHUWING

Dit apparaat is niet waterdicht. Om brand of een elektrische schok te voorkomen, mag u geen voorwerp dat vloeistof bevat in de buurt van het apparaat zetten (bijvoorbeeld een bloemenvaas) of het apparaat op andere wijze blootstellen aan waterdruppels, opspattend water, regen of vocht.

D3-4-2-1-3\_A1\_NI

## WAARSCHUWING

Om brand te voorkomen, mag u geen open vuur (zoals een brandende kaars) op de apparatuur zetten.

D3-4-2-1-7a\_A1\_NI

## Gebruiksomgeving

Temperatuur en vochtigheidsgraad op de plaats van gebruik:

+5 °C tot +35 °C, minder dan 85 % RH (ventilatieopeningen niet afgedekt)

Zet het apparaat niet op een slecht geventileerde plaats en stel het apparaat ook niet bloot aan hoge vochtigheid of direct zonlicht (of sterke kunstmatige verlichting).

D3-4-2-1-7c\*\_A1\_NI

## BELANGRIJKE INFORMATIE BETREFFENDE DE VENTILATIE

Let er bij het installeren van het apparaat op dat er voldoende vrije ruimte rondom het apparaat is om een goede doorstroming van lucht te waarborgen (tenminste 15 cm boven, 15 cm achter en 15 cm aan de zijkanen van het apparaat).

D3-4-2-1-7d\*\_A1\_NI

## WAARSCHUWING

De gleuven en openingen in de behuizing van het apparaat zijn aangebracht voor de ventilatie, zodat een betrouwbare werking van het apparaat wordt verkregen en oververhitting wordt voorkomen. Om brand te voorkomen, moet u ervoor zorgen dat deze openingen nooit geblokkeerd worden of dat ze afgedekt worden door voorwerpen (kranten, tafelkleed, gordijn e.d.) of door gebruik van het apparaat op een dik tapijt of een bed.

D3-4-2-1-7b\*\_A1\_NI



Deponeer dit product niet bij het gewone huishoudelijk afval wanneer u het wilt verwijderen. Er bestaat een speciaal wettelijk voorgeschreven verzamelsysteem voor de juiste behandeling, het opnieuw bruikbaar maken en de recycling van gebruikte elektronische producten.

In de lidstaten van de EU, Zwitserland en Noorwegen kunnen particulieren hun gebruikte elektronische producten gratis bij de daarvoor bestemde verzamelplaatsen of een verkooppunt (indien u aldaar een gelijkwaardig nieuw product koopt) inleveren.

Indien u zich in een ander dan bovengenoemd land bevindt kunt u contact opnemen met de plaatselijke overheid voor informatie over de juiste verwijdering van het product.

Zodoende zorgt u ervoor dat het verwijderde product op de juiste wijze wordt behandeld, opnieuw bruikbaar wordt gemaakt, gerecycled en het niet schadelijk is voor de gezondheid en het milieu.

Dit apparaat is bestemd voor normaal huishoudelijk gebruik. Indien het apparaat voor andere doeleinden of op andere plaatsen wordt gebruikt (bijvoorbeeld langdurig gebruik in een restaurant voor zakelijke doeleinden, of gebruik in een auto of boot) en als gevolg hiervan defect zou raken, zullen de reparaties in rekening gebracht worden, ook als het apparaat nog in de garantieperiode is.

K041\_A1\_NI

## WAARSCHUWING NETSNOER

Pak het netsnoer beet bij de stekker. Trek de stekker er niet uit door aan het snoer te trekken en trek nooit aan het netsnoer met natte handen aangezien dit kortsluiting of een elektrische schok tot gevolg kan hebben. Plaats geen toestel, meubelstuk o.i.d. op het netsnoer, en klem het niet vast. Maak er nooit een knoop in en verbind het evenmin met andere snoeren. De netsnoeren dienen zo te worden geleid dat er niet per ongeluk iemand op gaat staan. Een beschadigd netsnoer kan brand of een elektrische schok veroorzaken. Controleer het netsnoer af en toe. Wanneer u de indruk krijgt dat het beschadigd is, dient u bij uw dichtstbijzijnde onderhoudscentrum of uw dealer een nieuw snoer te kopen.

S002\*\_A1\_NI

## Voorzorgen voor de DM-40, DM-40-W

Verbind deze luidspreker niet met een andere dan de bijgeleverde versterker. Het verbinden met een andere versterker resulteert in een onjuist functioneren en mogelijk brand.

SGK006\*\_A1\_NI

Bevestig de luidspreker niet aan de muur of het plafond, want dan kan de luidspreker letsel veroorzaken als deze zou vallen.

SGK007\_A1\_NI

Het grafische symbool op het product betekent wisselstroom.

Het grafische symbool op het product betekent gelijkstroom.

Het grafische symbool op het product betekent apparatuur van klasse II.

D3-8-2-4\_A1\_NI

## LET OP

Dit product is beoordeeld onder omstandigheden van een gematigd klimaat.

D3-8-2-1-7b\_A1\_NI

# Lees dit voor gebruik (Belangrijk)

## Alvorens te beginnen

### Kenmerken

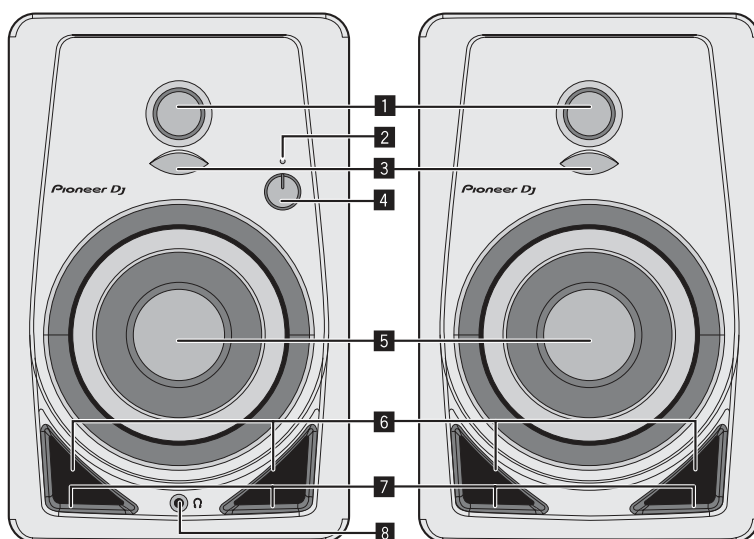
- Krachtig kickgeluid dankzij een basreflexkanaal aan de voorkant en de groeftechnologie.
- Betere directionaliteit van hoge frequenties en ruimtelijk geluid door een convexe diffusor op een nieuw gevormde golfpijp.
- Rijk basgeluid en heldere geluidskwaliteit in een compact tafelbladformaat.

### De accessoires controleren

- Stroomsnoer x1
- Handleiding (dit document)
- Audioconversiekabel (3,5 mm-stereoministekker naar RCA) × 1
- Luidsprekerdraad × 1
- Bodemkussen x8

## Namen en functies van de onderdelen

### Voorpaneel



#### 1 3/4 inch-tweeters met zachte conus

#### 2 POWER-indicator

De verlichting is aan het aan- en uitzetten gekoppeld. De indicator is uit in stand-by.

#### 3 Diffusors

Zorgen voor betere directionaliteit van hoge frequenties en een ruimtelijk geluid.

#### 4 LEVEL instelling

Hiermee stelt u het volume in.

#### 5 4 inch-glasvezelwoofers

#### 6 Basreflexkanalen

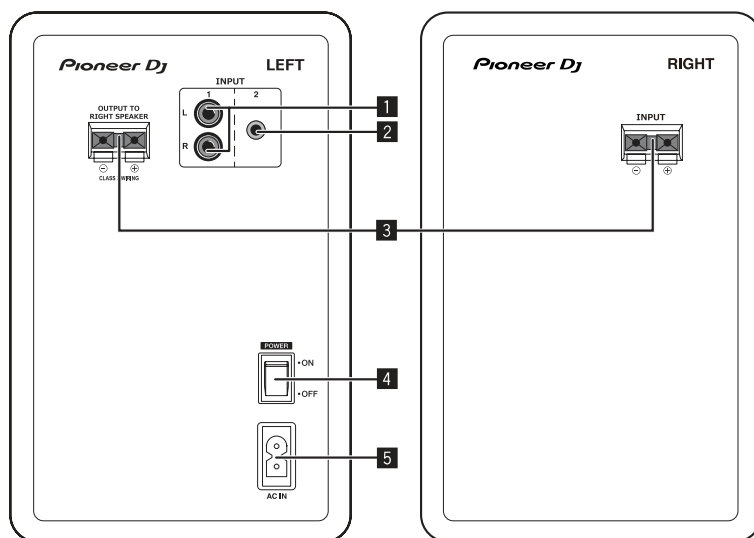
#### 7 Groeven

Regelen de luchtstroom van de basreflexkanalen om lage frequenties ongehinderd weer te geven.

#### 8 Hoofdtelefoonaansluiting

Dit is een uitgangsaansluiting voor een 3,5 mm-stereoministekker. Als u een hoofdtelefoon aansluit, wordt het geluid van de luidsprekers gedempt en alleen geluid via de hoofdtelefoon weergegeven.

## Achterpaneel



### 1 INPUT 1-aansluitingen (stereo)

Dit zijn ongebalanceerde ingangen voor een RCA-penaansluiting.

### 2 INPUT 2-aansluitingen (stereo)

Dit is een ongebalanceerde ingang voor een 3,5 mm-stereoministekker.

### 3 Connectors voor luidsprekeraansluiting

Sluit de linker en rechter luidspreker aan met de meegeleverde kabel.

Sluit deze luidsprekers niet op een andere versterker aan dan die van dit systeem. Dat kan beschadiging of brand veroorzaken.

### 4 POWER-schakelaar

Voor aanzetten en uitschakelen van dit apparaat.

### 5 AC IN

Sluit het netsnoer aan op AC IN en vervolgens op het stopcontact. Sluit het nettoer pas aan nadat alle aansluitingen tussen de apparatuur volledig zijn gemaakt.

Gebruik het meegeleverde netsnoer.

### LET OP

De **POWER** schakelaar van dit apparaat koppelt het apparaat niet volledig los van het lichtnet. Aangezien er na het uitschakelen van het apparaat nog een kleine hoeveelheid stroom blijft lopen, moet u de stekker uit het stopcontact halen om het apparaat volledig van het lichtnet los te koppelen. Plaats het apparaat zodanig dat de stekker in een noodgeval gemakkelijk uit het stopcontact kan worden gehaald. Om brand te voorkomen, moet u de stekker uit het stopcontact halen wanneer u het apparaat langere tijd niet denkt te gebruiken (bijv. wanneer u op vakantie gaat).

D3-4-2-2a\*\_A1\_NI



### WAARSCHUWING

Dit product is voorzien van een automatische stand-byfunctie. Als gedurende een bepaalde tijd (ongeveer 25 minuten) geen geluid wordt weergegeven, gaat de indicator POWER automatisch uit en schakelt het product over naar de stand-bystand met laag stroomverbruik.

Als in de stand-bystand een audiosignaal wordt ingevoerd, wordt het product automatisch aangezet.

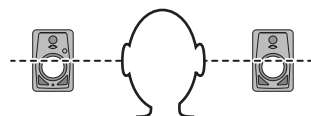
Deze automatische stand-byfunctie kan niet worden uitgeschakeld.

## Installatie en aansluitingen

### Installatieprocedure

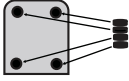
Het weergavegeluid van luidsprekers wordt beïnvloed door de omstandigheden in de luisterruimte. Om een optimale luisteromgeving te creëren, moet u terdege rekening houden met de omstandigheden op de installatieplaats voordat u met de feitelijke installatie begint.

- Plaats de luidsprekers op oorniveau.
- Voor een natuurlijk stereo-effect moeten de linker en de rechter luidspreker symmetrisch en op gelijke afstand van de luisterplaats worden opgesteld.





- Bevestig de meegeleverde kussens aan de onderkant van het toestel om glijden te voorkomen.

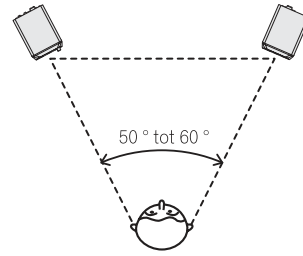


## WAARSCHUWING

Berg kleine onderdelen op buiten het bereik van kinderen en peuters. Raadpleeg onmiddellijk een arts indien kleine onderdelen per ongeluk worden ingeslikt.

D41-6-4\_A1\_NI

- Installeer de luidsprekers naar binnen gericht zodat de hoek op de luisterpositie in totaal 60 graden bedraagt, 30 graden elk voor de linker en de rechter luidspreker.



## ! WAARSCHUWING

Voor een goede koeling moet u ervoor zorgen dat er voldoende ruimte is tussen de luidsprekers en eventuele muren of andere componenten in de buurt (minimaal 15 cm vrije ruimte boven, achter, en rechts en links van elke luidspreker). Wanneer er onvoldoende ruimte is tussen de luidspreker en de muur of andere componenten, kan de interne temperatuur te hoog oplopen met een defect of beschadiging tot gevolg.

## Aansluitingen

- Schakel altijd eerst de stroom uit en trek de stekker uit het stopcontact alvorens u enige aansluiting maakt of verbreekt.
- Zie tevens de gebruiksaanwijzingen van de aan te sluiten apparatuur.
- Sluit het netnoer pas aan nadat alle aansluitingen tussen de apparatuur volledig zijn gemaakt.

- Gebruik alleen het bijgeleverde netsnoer.
- Wees voorzichtig wat het volume betreft omdat de signaalgang naar de [INPUT 1]-aansluiting en de [INPUT 2]-aansluiting gemengd wordt.

## De kabels aansluiten

Sluit de meegeleverde luidsprekerdraad op de luidsprekers aan.

### 1 Strip ongeveer 1 cm van het uiteinde van de meegeleverde luidsprekerdraad, en draai en verwijder de isolatie.

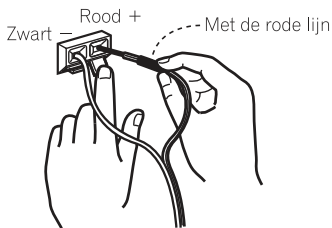
Draai of vlecht de kerndraden goed nadat u de isolatie hebt verwijderd.



### 2 Sluit de meegeleverde luidsprekerdraad aan op de luidsprekeraansluitingen aan de LINKER en de RECHTER kant.

### 3 Duw de klem van de luidsprekeraansluiting naar beneden en steek de kerndraad in de aansluiting.

Sluit de luidsprekerdraad met de rode lijn aan op de + aansluiting (rood), en de luidsprekerdraad zonder de rode lijn op de - aansluiting (zwart).



## ! WAARSCHUWING

- Trek na het aansluiten lichtjes aan de luidsprekerdraad om te controleren of deze met het uiteinde stevig in de aansluitingen vastzit. Een losse aansluiting kan leiden tot onderbrekingen in de geluidswaergave of ruis.
- Draai de kerndraden goed in elkaar bij het aansluiten van de luidsprekerdraad, en zorg ervoor dat de kerndraden niet uit de luidsprekeraansluitingen naar buiten steken. Als de kerndraden uit de luidsprekeraansluiting naar buiten steken, kunnen ze het achterpaneel of elkaar raken. Daardoor kan de versterker bovenmatig belast worden en stoppen of defect raken.
- Als de polariteit (+, -) van de LINKER en RECHTER kant verkeerd is bij het aansluiten van de LINKER en RECHTER luidsprekerdraad, kan geen normaal stereo-effect meer worden verkregen.

# Aanvullende informatie

## Verhelpen van storingen

- Soms ligt de oorzaak van het probleem bij een ander apparaat. Controleer daarom ook de andere componenten en elektrische apparatuur die gebruikt wordt. Als u het probleem niet kunt verhelpen, verzoekt u dan uw dichtstbijzijnde officiële Pioneer onderhoudsdienst of uw vakhandelaar om het apparaat te laten repareren.
- Dit apparaat kan soms niet goed werken vanwege statische elektriciteit of andere externe invloeden. In dat geval kunt u de normale werking herstellen door de stekker uit het stopcontact te trekken en die na ongeveer 5 seconden of langer weer aan te sluiten.

Probleem	Controle	Oplossing
De stroom wordt niet ingeschakeld.	Is het netsnoer naar behoren aangesloten?	Steek de netsnoerstekker in het stopcontact.
	Is het aangesloten apparaat juist ingesteld?	Stel de externe ingang van het apparaat en het volume juist in.
	Zijn de aansluitsnoeren goed aangesloten?	Zorg dat de aansluitsnoeren juist zijn aangesloten.
Er wordt geen geluid uit het aangesloten apparaat weergegeven of het geluid is zwak.	Zijn de aansluitbussen en de stekkers vuil?	Maak de aansluitbussen en de stekkers schoon voordat u aansluitingen gaat maken.
	Staat het volume in de juiste stand?	Draai de regelaar <b>[LEVEL]</b> op het voorpaneel van dit toestel met de wijzers van de klok mee om het volume te verhogen.
	Is de stroom ingeschakeld?	Zet de schakelaar <b>[POWER]</b> op het achterpaneel van dit toestel aan.
De indicator POWER (wit) licht niet op.	Is de stroom ingeschakeld?	Zet de schakelaar <b>[POWER]</b> op het achterpaneel van dit toestel aan.
	Staan de luidsprekers in de stand-bystand?	Zet de schakelaar <b>[POWER]</b> op het achterpaneel van dit toestel een keer uit en na een paar seconden weer aan.
Het toestel komt niet uit de stand-bystand (gaat niet aan).	Is het ingangssignaalniveau laag?	Verhoog het ingangssignaalniveau.
	Staat het volume in de juiste stand?	Draai de regelaar <b>[LEVEL]</b> op het voorpaneel van dit toestel tegen de wijzers van de klok in om het volume te verlagen.
Vervorming in het geluid.	Is het niveau voor de ingang van het aangesloten apparaat juist ingesteld?	Stel het uitgangsniveau van het aangesloten apparaat juist in.
Er is oscillatie (er wordt voortdurend luid geluid uitgevoerd).	Staat het volume in de juiste stand?	Draai de regelaar <b>[LEVEL]</b> op het voorpaneel van dit toestel tegen de wijzers van de klok in om het volume te verlagen.
Er klinkt alleen geluid uit de linker luidspreker.	Is de luidsprekerdraad juist aangesloten?	Sluit de linker en rechter luidspreker juist aan.
Er klinkt alleen geluid uit één luidspreker.	Is het apparaat juist aangesloten?	Sluit het apparaat aan op zowel de linker als de rechter ingangsaansluiting.

## Over handelsmerken en gedeponeerde handelsmerken

- "Pioneer DJ" is een handelsmerk van PIONEER CORPORATION en wordt in licentie gebruikt.
- De hierin vermelde namen van bedrijven en hun producten zijn de handelsmerken of geregistreerde handelsmerken van hun respectieve eigenaars.

## Specificaties

DM-40, DM-40-W	
Model	Actieve 2-wegluidspreker
Versterker	
Versterkeruitgang	Linker kanaal: 21 W/4 $\Omega$ , klasse AB Rechter kanaal: 21 W/4 $\Omega$ , klasse AB
Ingangsaansluitingen	RCA $\times$ 1, 3,5 mm-stereoministekker $\times$ 1
Ingangsimpedantie	10 k $\Omega$
Uitgangsaansluitingen	Hoofdtelefoon $\times$ 1
Luidspreker	
Behuizing	Basreflextype/vinyl-gelamineerd MDF
Woofer (LF-driver)	4 inch (102 mm) conus
Tweeter (HF-driver)	3/4 inch (19 mm) zachte conus
Voeding / andere	
Bruikbare spanning	110 V tot 240 V wisselstroom, 50 Hz/60 Hz
Stroomverbruik	35 W
Stroomverbruik tijdens wachten (stand-bystand)	0,5 W of minder
Buitenafmetingen B $\times$ H $\times$ D	Linker kanaal: 146 mm $\times$ 227 mm $\times$ 223 mm
	Rechter kanaal: 146 mm $\times$ 227 mm $\times$ 210 mm
Gewicht	Linker kanaal: 2,7 kg
	Rechter kanaal: 2,2 kg

- De technische gegevens en het ontwerp van dit product kunnen vanwege voortgaande verbetering zonder voorafgaande kennisgeving worden gewijzigd.
- © 2016 Pioneer DJ Corporation. Alle rechten voorbehouden.



Le damos las gracias por la adquisición de este producto Pioneer DJ.  
Lea a fondo estas instrucciones de utilización para que aprenda a utilizar correctamente su modelo.  
Después de haber terminado de leer estas instrucciones, guárdelas en un lugar seguro para, en caso de ser necesario, consultarlas en el futuro.

## PRECAUCIÓN

PARA PREVENIR EL PELIGRO DE CHOQUE ELÉCTRICO  
NO REMOVER LA TAPA NI LAS PARTES DENTRO NO  
UTILIZADAS, LLAMAR UNA PERSONA CUALIFICADA.

D3-4-2-1-1\_B2\_Es

## ADVERTENCIA

Este aparato no es impermeable. Para evitar el riesgo de incendio y de descargas eléctricas, no ponga ningún recipiente lleno de líquido (como pueda ser un vaso o un florero) cerca del aparato ni lo exponga a goteo, salpicaduras, lluvia o humedad.

D3-4-2-1-3\_A1\_Es

## ADVERTENCIA

Para evitar el peligro de incendio, no ponga nada con fuego encendido (como pueda ser una vela) encima del aparato.

D3-4-2-1-7a\_A1\_Es

## Entorno de funcionamiento

Temperatura y humedad del entorno de funcionamiento +5 °C a +35 °C; menos del 85 % de humedad relativa (rejillas de refrigeración no obstruidas)  
No instale este aparato en un lugar mal ventilado, ni en lugares expuestos a alta humedad o a la luz directa del sol (o de otra luz artificial potente).

D3-4-2-1-7c\*\_A1\_Es

## PRECAUCIÓN PARA LA VENTILACIÓN

Cuando instale este aparato, asegúrese de dejar espacio en torno al mismo para la ventilación con el fin de mejorar la disipación de calor (por lo menos 15 cm encima, 15 cm detrás, y 15 cm en cada lado).

D3-4-2-1-7d\*\_A1\_Es

## ADVERTENCIA

Las ranuras y aberturas de la caja del aparato sirven para su ventilación para poder asegurar un funcionamiento fiable del aparato y para protegerlo contra sobrecalentamiento. Para evitar el peligro de incendio, las aberturas nunca deberán taparse ni cubrirse con nada (como por ejemplo, periódicos, manteles, cortinas) ni ponerse en funcionamiento el aparato sobre una alfombra gruesas o una cama.

D3-4-2-1-7b\*\_A1\_Es

Este producto es para tareas domésticas generales. Cualquiera avería debida a otra utilización que tareas domésticas (tales como el uso a largo plazo para motivos de negocios en un restaurante o el uso en un coche o un barco) y que necesita una reparación hará que cobrarla incluso durante el período de garantía.

K041\_A1\_Es

## PRECAUCIONES CONCERNIENTES A LA MANIPULACIÓN DEL CABLE DE ALIMENTACIÓN

Tome el cable de alimentación por la clavija. No extraiga la clavija tirando del cable. Nunca toque el cable de alimentación cuando sus manos estén mojadas, ya que esto podría causar cortocircuitos o descargas eléctricas. No coloque la unidad, algún mueble, etc., sobre el cable de alimentación. Asegúrese de no hacer nudos en el cable ni de unirlo a otros cables. Los cables de alimentación deberán ser dispuestos de tal forma que la probabilidad de que sean pisados sea mínima. Una cable de alimentación dañado podrá causar incendios o descargas eléctricas. Revise el cable de alimentación está dañado, solicite el reemplazo del mismo al centro de servicio más cercano, o a su distribuidor.

S002\*\_A1\_Es

### Precauciones para el DM-40, DM-40-W

No conecte este altavoz a ningún amplificador que no sea el suministrado con este sistema. La conexión a cualquier otro amplificador puede resultar en fallas de funcionamiento o aun incendio.

SGK006\*\_A1\_Es

No fije estos altavoces a una pared ni al techo, ya que podrían caerse y ocasionar lesiones.

SGK007\_A1\_Es

El símbolo gráfico  colocado en el producto significa corriente alterna.

El símbolo gráfico  colocado en el producto significa corriente continua.

El símbolo gráfico  colocado en el producto significa equipo de Clase II.

D3-8-2-4\_A1\_Es

## PRECAUCIÓN

Este producto se evalúa en un entorno climático moderado.

D3-8-2-1-7b\_A1\_Es



Si desea deshacerse de este producto, no lo mezcle con los residuos generales de su hogar. De conformidad con la legislación vigente, existe un sistema de recogida distinto para los productos electrónicos que requieren un procedimiento adecuado de tratamiento, recuperación y reciclado.

Las viviendas privadas en los estados miembros de la UE, en Suiza y Noruega pueden devolver gratuitamente sus productos electrónicos usados en las instalaciones de recolección previstas o bien en las instalaciones de minoristas (si adquieren un producto similar nuevo).

En el caso de los países que no se han mencionado en el párrafo anterior, póngase en contacto con sus autoridades locales a fin de conocer el método de eliminación correcto.

Al actuar siguiendo estas instrucciones, se asegurará de que el producto de desecho se somete a los procesos de tratamiento, recuperación y reciclaje necesarios, con lo que se previenen los efectos negativos potenciales para el entorno y la salud humana.

K058b\_A1\_Es

# Léalo antes de usar (Importante)

## Antes de empezar a usar la unidad

### Características

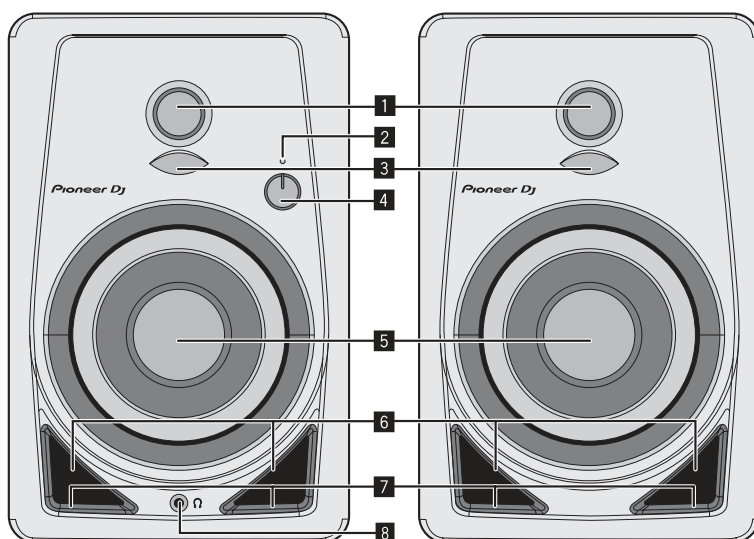
- Un conducto reflector de bajos en la parte frontal y la tecnología Groove crean un potente sonido grave.
- Un difusor convexo en una nueva guía de ondas mejora la directividad del sonido y proporciona un sonido espacioso.
- Se consigue un sonido rico en bajos y una calidad de sonido más nítida a pesar de su tamaño de sobremesa compacto.

### Comprobación de los accesorios

- Cable de alimentación x1
- Manual de Instrucciones (este manual)
- Cable del convertidor de audio (mini-clavija estéreo de 3,5 mm a RCA) x1
- Cable del altavoz x 1
- Almohadilla para la parte inferior x8

## Nomenclatura y funciones de las partes

### Panel frontal



#### 1 Tweeters de cúpula blanda de 3/4 pulgada

#### 2 Indicador POWER

La iluminación está vinculada al encendido/apagado. El indicador está apagado en espera.

#### 3 Difusores

Mejoran la directividad del sonido de altas frecuencias y proporcionan un sonido espacioso.

#### 4 Control LEVEL

Ajusta el volumen.

#### 5 Altavoces de graves de fibra de vidrio de 4 pulgadas

#### 6 Conductos de reflejo de graves

#### 7 Ranuras

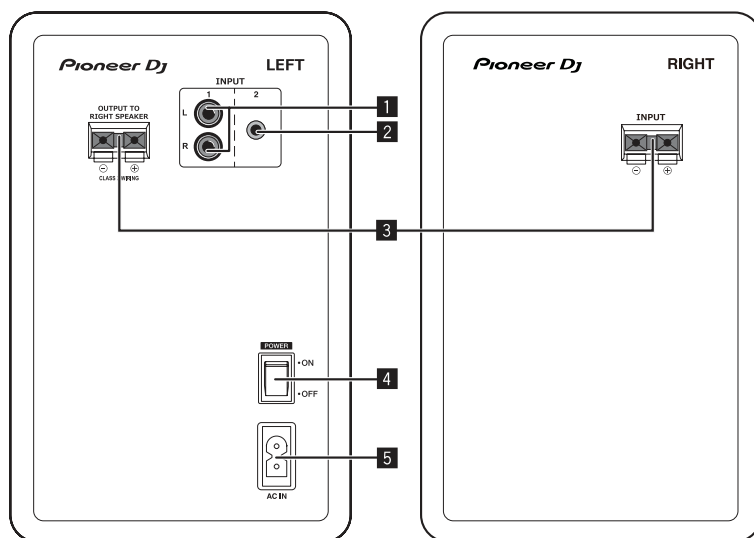
Ajuste el flujo de aire de los conductos de reflejo de graves para irradiar bajas frecuencias sin contratiempos.

#### 8 Terminal de auriculares

Este es un terminal de salida de tipo de mini-clavija estéreo de 3,5 mm.

La conexión de los auriculares silencia la salida de sonido de los altavoces y hace que solo se emita sonido desde los auriculares.

## Panel trasero



### 1 Terminales INPUT 1 (estéreo)

Se trata de terminales de entrada no equilibrados de tipo de clavija RCA.

### 2 Terminales INPUT 2 (estéreo)

Este es un terminal de entrada de tipo de mini-clavija estéreo de 3,5 mm.

### 3 Conectores para la conexión del altavoz

Conecte los altavoces izquierdo y derecho usando el cable que se incluye.

No conecte esos altavoces a un amplificador que no sea el de este sistema. Si lo hace se puede provocar un incendio.

### 4 Conmutador POWER

Conecta y desconecta la alimentación de esta unidad.

### 5 AC IN

Conecte el cable de alimentación a AC IN y conecte la clavija de alimentación a la toma de corriente.

Conecte el cable de alimentación después de terminar las conexiones entre los aparatos.

Asegúrese de usar el cable de alimentación incluido.

### PRECAUCIÓN

El interruptor de la alimentación **POWER** de este aparato no corta por completo toda la alimentación de la toma de corriente de CA. Puesto que el cable de alimentación hace las funciones de dispositivo de desconexión de la corriente para el aparato, para desconectar toda la alimentación del aparato deberá desenchufar el cable de la toma de corriente de CA. Por lo tanto, asegúrese de instalar el aparato de modo que el cable de alimentación pueda desenchufarse con facilidad de la toma de corriente de CA en caso de un accidente. Para evitar correr el peligro de incendio, el cable de alimentación también deberá desenchufarse de la toma de corriente de CA cuando no se tenga la intención de utilizarlo durante mucho tiempo seguido (por ejemplo, antes de irse de vacaciones).

D3-4-2-2a\*\_A1\_Es



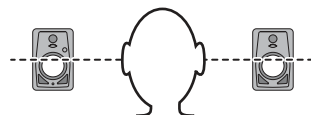
Este producto se proporciona con una función de espera automática. Si el estado en el que no se emite ningún sonido se prolonga durante el período establecido (aproximadamente 25 minutos) durante el uso, el producto apaga automáticamente el indicador POWER y entra en un estado de espera con un bajo consumo de energía. Cuando se recibe una señal de audio en el estado de espera, el producto entra automáticamente en el estado encendido. Esta función de espera automática no se puede deshabilitar.

## Instalación y conexiones

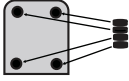
### Procedimiento de instalación

El sonido de reproducción de un altavoz queda ligeramente afectado por las condiciones de la sala de audición. Para producir las mejores condiciones para la audición, tenga debidamente en cuenta las condiciones del lugar de instalación antes de comenzar la instalación.

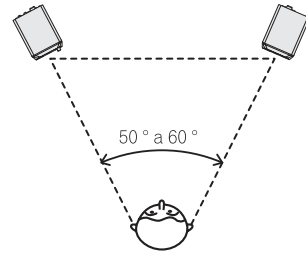
- Coloque los altavoces al nivel de los oídos.
- Para obtener un efecto estéreo natural, los altavoces derecho e izquierdo deben instalarse simétricamente y en posiciones equidistantes de la posición de audición.



- Fije las almohadillas suministradas en la parte inferior de la unidad para evitar que resbale.



- Instale los altavoces orientados hacia dentro con un ángulo total de 60 grados desde la posición de escucha, 30 grados para cada uno de los altavoces, izquierdo y derecho.



## ADVERTENCIA

Guarde las piezas pequeñas fuera del alcance de los niños. Si las ingirieran accidentalmente, póngase de inmediato en contacto con un médico.

D41-6-4\_A1\_Es

### AVISO

Para favorecer una refrigeración adecuada asegúrese de que haya suficiente espacio entre los altavoces, las paredes cercanas y otros componentes (mínimo de 15 cm o más por encima, detrás, a la derecha y a la izquierda de cada altavoz). Si deja un espacio insuficiente entre el altavoz y las paredes u otros componentes, puede provocar que aumente la temperatura interior, lo que puede provocar un mal funcionamiento o daños.

## Conexiones

- Asegúrese de desconectar la alimentación y desenchufar el cable de alimentación de la toma de corriente siempre que haga o cambie conexiones.
- Consulte el manual de instrucciones del componente que va a ser conectado.
- Conecte el cable de alimentación después de terminar las conexiones entre los aparatos.
- Asegúrese de usar el cable de alimentación incluido.
- Tenga cuidado con el volumen porque las señales de entrada en el terminal [INPUT 1] y el terminal [INPUT 2] se mezclan.

## Conexión de los cables

Conecte a los altavoces el cable de altavoces que se incluye.

### 1 Pele 1 cm de la punta del cable que se incluye y retuerza y retire el aislante expuesto.

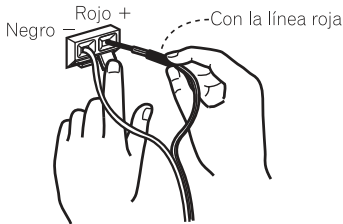
Tras retirar el aislante, retuerza los cables.



### 2 Conecte el cable del altavoz que se incluye con los terminales del altavoz de los lados IZQUIERDO y DERECHO.

### 3 Inserte los cables en los terminales mientras presiona la pinza del terminal del altavoz.

Conecte el cable del altavoz con la línea roja en el lado del terminal + (rojo) y el cable del altavoz sin la línea roja en el lado del terminal - (negro).



### AVISO

- Tras conectar los terminales, tire ligeramente del cable del altavoz para asegurarse de que las puntas del cable del altavoz se hayan conectado de forma segura con los terminales. Una conexión floja puede hacer que la salida de audio se interrumpa o se emita ruido.
- Cuando conecte el cable del altavoz, retuerza a fondo los cables y asegúrese de que no sobresalgan de los terminales del altavoz. Los cables que sobresalgan de los terminales del altavoz pueden entrar en contacto con el panel trasero o entre ellos. Esto puede provocar una carga excesiva en el amplificador, lo que puede hacer que no funcione o puede provocar una avería.
- Si se comete una equivocación con las polaridades (+, -) en los lados IZQUIERDO y DERECHO cuando se conecta el cable del altavoz IZQUIERDO y DERECHO, es posible que ya no se obtenga el efecto de estéreo normal.

# Información adicional

## Solución de problemas

- Algunas veces, el problema puede estar en otro componente. Inspeccione los otros componentes y los aparatos eléctricos que esté utilizando. Si no se puede rectificar el problema, pida al servicio de Pioneer autorizado más cercano o a su concesionario que realice el trabajo de reparación.
- Esta unidad puede no funcionar bien debido a la electricidad estática o a otros factores externos. En este caso, el funcionamiento normal se puede restaurar desenchufando el cable de alimentación, esperando unos 5 segundos o más, y volviéndolo a enchufar.

Problema	Verificación	Remedio
La alimentación no se conecta.	¿Está bien conectado el cable de alimentación?	Enchufe el cable de alimentación a una toma de CA.
	¿Se ha ajustado correctamente el dispositivo?	Ajusta la entrada y el volumen del dispositivo externo correctamente.
	¿Están bien conectados los cables de conexión?	Conecte correctamente los cables de conexión.
No se emite sonido del dispositivo conectado o el sonido es demasiado bajo.	¿Están sucios los terminales y las clavijas?	Limpie los terminales y las clavijas antes de hacer conexiones.
	¿El volumen está ajustado en la posición correcta?	Gire el control [LEVEL] del panel frontal de esta unidad en el sentido de las agujas del reloj para aumentar el volumen.
	¿Está conectada la alimentación?	Active el conmutador [POWER] en el panel trasero de esta unidad.
El indicador POWER (blanco) no se enciende.	¿Está conectada la alimentación?	Active el conmutador [POWER] en el panel trasero de esta unidad.
	¿Los altavoces están en estado de espera?	Desactive el conmutador [POWER] del panel trasero de esta unidad y después vuelva a activarlo tras unos cuantos segundos.
Esta unidad no se recupera (enciende) del estado de espera.	¿El nivel de señal de entrada es bajo?	Aumente el nivel de señal de entrada.
Sonido distorsionado.	¿El volumen está ajustado en la posición correcta?	Gire el control [LEVEL] del panel frontal de esta unidad en el sentido contrario a las agujas del reloj para reducir el volumen.
	¿El nivel de entrada del dispositivo conectado es correcto?	Ajuste el nivel de salida del aparato conectado correctamente.
Oscila (se emite continuamente sonido alto).	¿El volumen está ajustado en la posición correcta?	Gire el control [LEVEL] del panel frontal de esta unidad en el sentido contrario a las agujas del reloj para reducir el volumen.
Solo se emite sonido del altavoz izquierdo.	¿Está bien conectado el cable del altavoz?	Conecte los altavoces izquierdo y derecho correctamente.
Solo se emite sonido de un altavoz.	¿Se ha conectado correctamente el dispositivo?	Conecte el dispositivo a los terminales de entrada izquierdo y derecho.

## Acerca de las marcas de fábrica y marcas registradas

- "Pioneer DJ" es una marca comercial de PIONEER CORPORATION y se usa bajo licencia.
- Los nombres de compañías y productos mencionados aquí son marcas comerciales o marcas comerciales registradas de sus respectivos propietarios.

## Especificaciones

DM-40, DM-40-W	
Modelo	Altavoz activo de dos vías
Sección del amplificador	
Salida del amplificador	Canal izq.: 21 W/4 Ω, Clase AB Canal der.: 21 W/4 Ω, Clase AB
Terminales de entrada	RCA × 1, mini-clavija estéreo de 3,5 mm × 1
Impedancia de entrada	10 kΩ
Terminales de salida	Auriculares × 1
Sección del altavoz	
Caja acústica	Tipo de reflejo de bajos/MDF laminado de vinilo
Altavoz de graves (driver LF)	Cono de 4 pulgadas (102 mm)
Tweeter (driver HF)	Cúpula blanda de 3/4 pulgada (19 mm)
Sección de fuente de alimentación / otros	
Tensiones admitidas	CA 110 V a 240 V, 50 Hz/60 Hz
Consumo de energía	35 W
Consumo de energía durante la espera (estado de espera)	0,5 W o menos
Dimensiones externas An × Al × Prf	Canal izq.: 146 mm × 227 mm × 223 mm
	Canal der.: 146 mm × 227 mm × 210 mm
Peso	Canal izq.: 2,7 kg
	Canal der.: 2,2 kg
Consumo de energía para México	
Modo normal *1	35 Wh/día
Modo de espera *2	11,5 Wh/día

\*1 Considerando 1 hora de uso al día

\*2 Considerando 23 horas en el modo de espera

- Las especificaciones y diseño de este producto están sujetos a cambios sin previo aviso.
- © 2016 Pioneer DJ Corporation. Todos los derechos reservados.





Obrigado por adquirir este produto da Pioneer DJ.  
Leia atentamente estas instruções de funcionamento de modo a saber como utilizar correctamente o seu modelo.  
Após terminar de ler as instruções, coloque-as num local seguro para futura referência.

## CUIDADO

PARA PREVENIR O PERIGO DE CHOQUE ELÉTRICO, NÃO REMOVA A COBERTURA (NEM A PARTE POSTERIOR), NÃO EXISTEM NO INTERIOR PEÇAS REPARÁVEIS PELO UTILIZADOR. A MANUTENÇÃO DEVE SER EFETUADA POR PESSOAL ESPECIALIZADO.

D3-4-2-1-1\_B2\_Pt

## AVISO

Este aparelho não é à prova de água. Para prevenir o perigo de incêndio ou choque elétrico, não coloque perto dele recipientes contendo líquidos (tais como uma jarra ou um vaso de flores) nem o exponha a pingos, salpicos, chuva ou humidade.

D3-4-2-1-3\_A2\_Pt

## AVISO

Para prevenir o perigo de incêndio, não coloque fontes de chamas nuas (tais como uma vela acesa) sobre o aparelho.

D3-4-2-1-7a\_A1\_Pt

## Ambiente de funcionamento

Temperatura e humidade do ambiente de funcionamento:

+5 °C a +35 °C; humidade relativa inferior a 85 % (respiradouros de refrigeração não bloqueados)  
Não instale o aparelho num espaço insuficientemente arejado ou em locais expostos a uma humidade elevada ou a luz solar direta (ou a iluminação artificial intensa).

D3-4-2-1-7c\*\_A2\_Pt

## CUIDADOS COM A VENTILAÇÃO

Quando instalar esta unidade, certifique-se de que deixa espaço em torno da unidade para ventilação de modo a melhorar a radiação térmica (pelo menos 15 cm na parte superior, 15 cm na parte posterior e 15 cm em cada um dos lados).

D3-4-2-1-7d\*\_A1\_Pt

## AVISO

As ranhuras e as aberturas da caixa destinam-se a ventilação, para garantir o funcionamento fiável do produto e para evitar o seu sobreaquecimento. Para evitar riscos de incêndio, as aberturas nunca devem ser bloqueadas ou cobertas com coisas (como jornais, toalhas de mesa, cortinas) ou através do funcionamento do equipamento em cima de um tapete grosso ou uma cama.

D3-4-2-1-7b\*\_A1\_Pt

Este produto destina-se a utilização doméstica geral. A reparação de qualquer avaria devida a utilizações fora desse âmbito (como, por exemplo, utilização prolongada num restaurante, para efeitos comerciais, ou utilização num automóvel ou num barco) será cobrada, ainda que dentro da garantia.

K041\_A1\_Pt

## AVISO SOBRE O CABO DE ALIMENTAÇÃO

Manuseie o cabo de alimentação através da ficha. Não retire a ficha puxando o cabo e nunca toque no cabo de alimentação com as mãos húmidas, pois pode provocar um curto-circuito ou choque elétrico. Não coloque a unidade, um móvel, etc., sobre o cabo de alimentação nem trilhe o cabo. Nunca faça um nó no cabo nem o amarre a outros cabos. Os cabos de alimentação devem ser encaminhados de modo a não serem pisados. Um cabo de alimentação danificado pode provocar um incêndio ou um choque elétrico. Verifique periodicamente o cabo de alimentação. Quando estiver danificado, solicite um cabo de alimentação de substituição junto do seu revendedor ou centro de assistência.

S002\*\_A1\_Pt


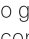

## Precauções para o DM-40, DM-40-W

Não ligue esta coluna de altifalantes a nenhum outro amplificador além do fornecido com este sistema. A ligação a um outro amplificador pode resultar em mau funcionamento ou incêndio.

SGK006\*\_A1\_Pt

Não fixe estas colunas em paredes ou no tecto, pois podem causar ferimentos em caso de queda.

SGK007\*\_A1\_Pt

O símbolo gráfico  presente no produto significa corrente alternada.  
O símbolo gráfico  presente no produto significa corrente contínua.  
O símbolo gráfico  presente no produto significa Equipamento de Classe II.

D3-8-2-4\_A1\_Pt

## CUIDADO

Este produto foi avaliado em condições semelhantes às de um clima temperado.

D3-8-2-1-7b\_A1\_Pt



Se quiser eliminar este produto, não o misture com resíduos domésticos gerais. Existe um sistema de recolha separado para produtos eletrónicos usados de acordo com a legislação que requer tratamento, recuperação e reciclagem adequados.

Os consumidores dos Estados-membros da UE, da Suíça e da Noruega podem entregar equipamentos eletrónicos fora de uso em determinadas instalações de recolha ou a um retalhista (se adquirirem um equipamento novo similar).

Nos países não mencionados acima, informe-se sobre o método de eliminação correto junto das autoridades locais.

Ao fazê-lo estará a garantir que o produto que já não tem utilidade para si é submetido a processos de tratamento, recuperação e reciclagem adequados, evitando-se assim potenciais efeitos negativos para o ambiente e a saúde humana.

K058b\_A2\_Pt

# Leia Antes de Utilizar (Importante)

## Antes de começar

### Características

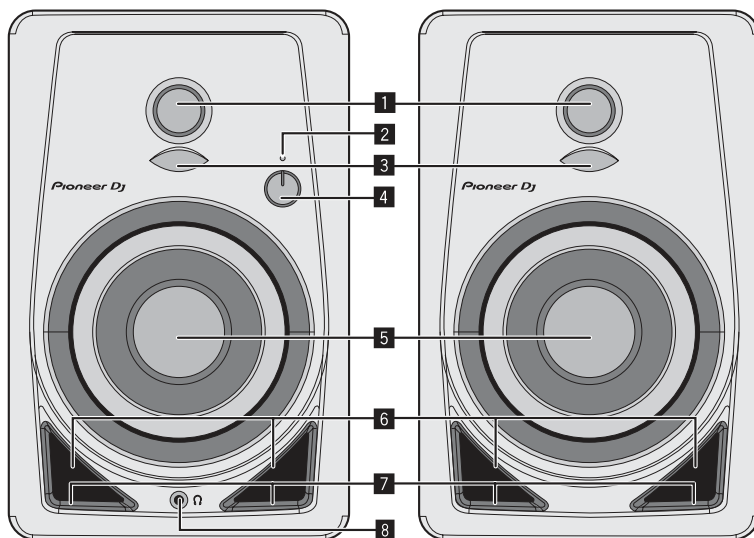
- Um tubo de reflexão de graves situado na parte frontal e a tecnologia Groove produzem sons potentes.
- Um difusor convexo numa guia de onda de novo formato aprimora a direcionalidade de som de frequências elevadas e proporciona um som abrangente.
- Som rico em graves e reprodução ainda mais nítida apesar do tamanho compacto.

### Verificar os acessórios

- Cabo de alimentação x1
- Instruções de operação (este documento)
- Cabo do conversor áudio (minificha estéreo de 3,5 mm para RCA) x1
- Cabo de coluna x1
- Almofada inferior x8

## Nomes e funções das peças

### Painel frontal



#### 1 Tweeters de cúpula macia de 3/4 polegadas

#### 2 Indicador POWER

Acende-se quando se liga/desliga a alimentação. O indicador fica apagado em modo de espera.

#### 3 Difusores

Melhoram o direcionamento do som de altas frequências e proporcionam som amplo.

#### 4 Controlo LEVEL

Regula o volume.

#### 5 Woofers de 4 polegadas em fibra de vidro

#### 6 Túneis bass reflex

#### 7 Ranhuras

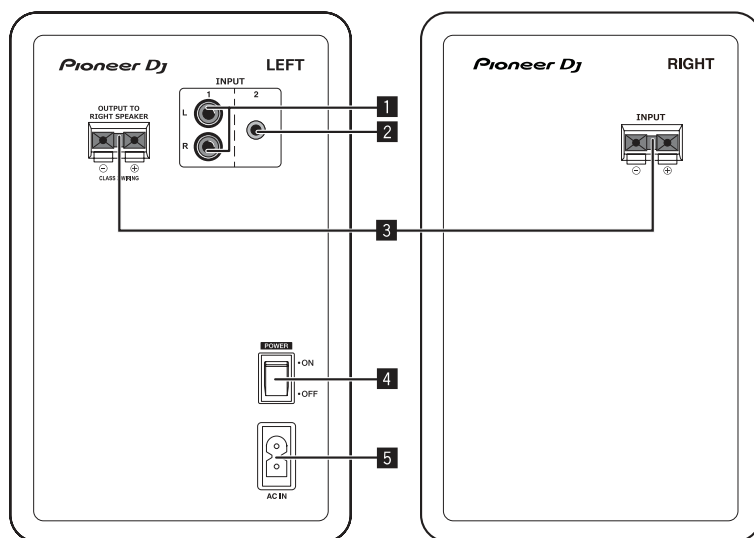
Regulam o fluxo de ar dos túneis bass reflex, para difundir suavemente as baixas frequências.

#### 8 Terminal de auscultadores

Terminal de saída tipo minificha estéreo de 3,5 mm.

A ligação dos auscultadores corta a saída do som das colunas e emite som apenas através dos auscultadores.

## Painel posterior



### 1 Terminais INPUT 1 (estéreo)

Terminais de entrada não balanceados tipo pino de RCA.

### 2 Terminais INPUT 2 (estéreo)

Terminal de entrada não balanceado tipo minificha estéreo de 3,5 mm.

### 3 Conectores de ligação das colunas

Permitem a ligação das colunas esquerda e direita, utilizando o cabo incluído.

Não ligue estas colunas a um amplificador diferente do fornecido com este sistema. Se o fizer pode provocar danos ou um incêndio.

### 4 Interruptor POWER

Liga ou desliga a alimentação desta unidade.

### 5 AC IN

Ligue o cabo de alimentação à entrada AC IN e depois ligue-o à tomada elétrica.

Ligue o fio elétrico depois de terminar de fazer todas as ligações entre os dispositivos.

Certifique-se de que utiliza o cabo de alimentação incluído.

### CUIDADO

O botão **POWER** do aparelho não o desliga completamente da energia fornecida pela tomada CA. Uma vez que o cabo de alimentação serve como o principal dispositivo de desconexão, será necessário desligá-lo da tomada para desligar toda a alimentação. Por isso, verifique se a unidade foi instalada de forma que o cabo de alimentação possa ser facilmente desligado da tomada AC, em caso de acidente. Para prevenir o risco de incêndio, deverá desligar igualmente o cabo de alimentação de energia da tomada CA quando o aparelho não for utilizado durante um período prolongado (por exemplo, durante um período de férias).

D3-4-2-2a\*\_A1\_Pt



### ADVERTÊNCIA

Este produto é fornecido de fábrica com uma função de espera automática.

Se uma situação 'sem som' se prolongar por um período determinado (cerca de 25 minutos) durante a utilização, o produto desliga automaticamente o indicador POWER e entra em modo de espera com baixo consumo de energia.

Se for recebido um sinal de áudio no modo de espera, o produto entra automaticamente em modo de ligação.

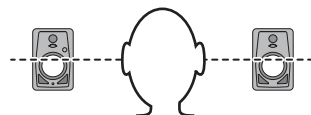
Não é possível desativar esta função de espera automática.

## Instalação e ligações

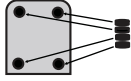
### Procedimento de instalação

O som reproduzido por uma coluna é subtilmente influenciado pelas condições da sala de audição. Para criar um ambiente de audição ideal, antes de começar a instalação propriamente dita, tenha em conta as condições do local que vai ser utilizado.

- Coloque as colunas ao nível dos ouvidos.
- Para obter um efeito de som estéreo natural, deve instalar as colunas direita e esquerda em posições simétricas e equidistantes da posição de audição.



- Fixe as almofadas fornecidas à parte inferior da unidade para evitar deslizem.

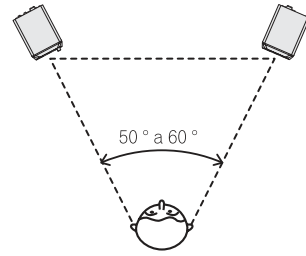


## AVISO

Guarde as peças pequenas fora do alcance das crianças. Se forem engolidas acidentalmente, contacte imediatamente um médico.

D41-6-4\_A3\_Pt

- Instale as colunas voltadas para dentro, fazendo um ângulo total de 60 graus em relação à posição de audição, 30 graus para cada coluna esquerda e direita.



## ⚠️ ADVERTÊNCIA

Para garantir um arrefecimento adequado, assegure-se de que há espaço suficiente entre as colunas e entre estas e paredes ou outros componentes que estejam nas proximidades (no mínimo, 15 cm ou mais, acima, atrás e à direita e esquerda de cada coluna). Se deixar espaço insuficiente entre as colunas e as paredes ou outros componentes, pode ocorrer uma subida da temperatura interior, provocando danos ou avarias.

## Ligações

- Certifique-se de que desliga a energia e o cabo de alimentação da tomada, sempre que fizer ou alterar ligações.
- Consulte as instruções de funcionamento do componente a ligar.
- Ligue o fio elétrico depois de terminar de fazer todas as ligações entre os dispositivos.

- Certifique-se de que utiliza o cabo de alimentação incluído.
- Tenha cuidado com a regulação do volume, porque os sinais emitidos para os terminais **[INPUT 1]** e **[INPUT 2]** são misturados.

## Ligar cabos

Ligue o cabo de coluna incluído às colunas.

### 1 Descarte cerca de 1 cm da cabeça do cabo de coluna incluído e retire o isolante exposto.

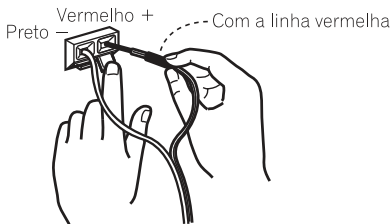
Depois de retirar o isolante, torça completamente os fios do núcleo.



### 2 Ligue o cabo de coluna incluído aos terminais das colunas nos lados ESQUERDO e DIREITO.

### 3 Introduza os fios do núcleo nos terminais, ao mesmo tempo que pressiona a patilha no terminal da coluna.

Ligue o cabo de coluna com a linha vermelha ao terminal + (vermelho) e o cabo de coluna sem linha vermelha ao terminal - (preto).



## ⚠️ ADVERTÊNCIA

- Depois de fazer a ligação aos terminais, puxe ligeiramente o cabo de coluna para ter a certeza de que as cabeças do cabo estão bem presas nos terminais. Uma ligação com folga pode provocar emissão de ruído ou interrupções na saída de áudio.
- Quando ligar o cabo de coluna, torça bem os fios do núcleo e certifique-se de que não ficam a sair dos terminais das colunas. Se os fios do núcleo ficarem a sair dos terminais das colunas, podem entrar em contacto entre si ou com o painel posterior. Isso pode dar origem a carga excessiva no amplificador, o que resulta na interrupção do funcionamento ou numa avaria.
- Se se enganar nas polaridades (+, -) nos lados ESQUERDO e DIREITO, quando fizer a ligação do cabo às colunas ESQUERDA e DIREITA, deixa de obter o efeito de som estéreo normal.

# Informações adicionais

## Resolução de problemas

- Algumas vezes o problema está relacionado com outro componente. Inspeccione os outros componentes e os aparelhos elétricos que estão a ser utilizados. Se o problema não pôde ser resolvido, peça à Assistência Técnica autorizada ou ao revendedor da Pioneer mais próximo para fazer o conserto.
- Esta unidade pode não funcionar corretamente devido a eletricidade estática ou outros fatores externos. Nesse caso, para restaurar o funcionamento normal, desligue o cabo de alimentação, aguarde cerca de 5 segundos ou mais e, em seguida, volte a ligar o cabo de alimentação.

Problema	Verificar	Solução
A alimentação não está ligada.	O cabo de alimentação está ligado corretamente?	Ligue o cabo de alimentação a uma tomada de CA.
	O dispositivo ligado está bem regulado?	Regule corretamente a entrada externa do dispositivo e o volume.
	Os cabos de ligação estão ligados corretamente?	Ligue corretamente os cabos de ligação.
O dispositivo ligado não emite nenhum som ou o som está baixo.	Os terminais e fichas estão sujos?	Limpe os terminais e fichas antes de efetuar ligações.
	O volume está regulado para a posição correta?	Rode o botão <b>[LEVEL]</b> no painel frontal desta unidade no sentido dos ponteiros do relógio para aumentar o volume.
	A alimentação está ligada?	Ligue o interruptor <b>[POWER]</b> no painel posterior desta unidade.
O indicador POWER (branco) não se acende.	A alimentação está ligada?	Ligue o interruptor <b>[POWER]</b> no painel posterior desta unidade.
	As colunas estão em modo de espera?	Desligue o interruptor <b>[POWER]</b> no painel posterior desta unidade e volte a ligá-lo após alguns segundos.
Esta unidade não recupera (não se liga) a partir do modo de espera.	O nível do sinal de entrada é baixo?	Aumente o nível do sinal de entrada.
Som distorcido.	O volume está regulado para a posição correta?	Rode o botão <b>[LEVEL]</b> no painel frontal desta unidade no sentido contrário aos ponteiros do relógio para reduzir o volume.
	O nível de entrada a partir do dispositivo ligado é adequado?	Ajuste corretamente o nível de saída do dispositivo ligado.
Oscilações (som alto emitido continuamente).	O volume está regulado para a posição correta?	Rode o botão <b>[LEVEL]</b> no painel frontal desta unidade no sentido contrário aos ponteiros do relógio para reduzir o volume.
O som é emitido apenas da coluna esquerda.	O cabo de coluna está bem ligado?	Ligue as colunas esquerda e direita corretamente.
O som é emitido apenas de uma coluna.	O dispositivo está bem ligado?	Ligue o dispositivo a ambos os terminais de entrada esquerdo e direito.

## Acerca de marcas comerciais e marcas comerciais registadas

- "Pioneer DJ" é uma marca comercial da PIONEER CORPORATION e é utilizada sob licença.
- Os nomes de empresas e produtos aqui mencionados são marcas comerciais ou marcas comerciais registadas dos seus respetivos proprietários.

## Especificações

DM-40, DM-40-W	
Modelo	Coluna ativa de 2 vias
Secção do amplificador	
Saída do amplificador	CnE: 21 W/4 Ω, Classe AB CnD: 21 W/4 Ω, Classe AB
Terminais de entrada	Minificha estéreo RCA × 1, 3,5 mm × 1
Impedância de entrada	10 kΩ
Terminais de saída	Auscultador × 1
Secção das colunas	
Caixa	Tipo bass reflex/MDF laminada a vinil
Woofer (driver de baixas frequências)	Cone de 4 polegadas (102 mm)
Tweeter (driver de altas frequências (HF))	Cúpula macia de 3/4 polegadas (19 mm)
Secção da fonte de alimentação / outra	
Tensões suportadas	CA 110 V a 240 V, 50 Hz/60 Hz
Consumo de energia	35 W
Consumo de energia em espera (modo de espera)	0,5 W ou menos
Dimensões externas L × A × P	CnE: 146 mm × 227 mm × 223 mm
	CnD: 146 mm × 227 mm × 210 mm
Peso	CnE: 2,7 kg
	CnD: 2,2 kg

- As especificações e design deste produto estão sujeitos a alterações sem aviso prévio.
- © 2016 Pioneer DJ Corporation. Todos os direitos reservados.



Благодарим вас за покупку данного изделия Pioneer DJ. Пожалуйста, внимательно изучите данные инструкции по эксплуатации для надлежащего использования данной модели. По завершению изучения инструкций, храните их в надежном месте для справок в будущем.

## ВНИМАНИЕ

ВО ИЗБЕЖАНИЕ ПОРАЖЕНИЯ ЭЛЕКТРИЧЕСКИМ ТОКОМ НЕ СНИМАЙТЕ КРЫШКУ (ИЛИ ЗАДНЮЮ СТЕНКУ). ВНУТРИ НЕ СОДЕРЖАТСЯ ДЕАТЛИ, ПРЕДНАЗНАЧЕННЫЕ ДЛЯ РЕМОНТА ПОЛЬЗОВАТЕЛЕМ. ДЛЯ ОБСЛУЖИВАНИЯ ОБРАТИТЕСЬ К КВАЛИФИЦИРОВАННОМУ СОТРУДНИКУ СЕРВИСНОЙ СЛУЖБЫ.

D3-4-2-1-1\_B1\_Ru

## ПРЕДУПРЕЖДЕНИЕ

Данное оборудование не является водонепроницаемым. Во избежание пожара или поражения электрическим током не помещайте рядом с оборудованием емкости с жидкостями (например, вазы, цветочные горшки) и не допускайте попадания на него капель, брызг, дождя или влаги.

D3-4-2-1-3\_A1\_Ru

## ПРЕДУПРЕЖДЕНИЕ

Во избежание пожара не приближайте к оборудованию источники открытого огня (например, зажженные свечи).

D3-4-2-1-7a\_A1\_Ru

## Условия эксплуатации

Изделие эксплуатируется при следующих температуре и влажности:

+5 °C до +35 °C; влажность менее 85 % (не заслоняйте охлаждающие вентиляторы)

Не устанавливайте изделие в плохо вентилируемом помещении или в месте с высокой влажностью, открытым для прямого солнечного света (или сильного искусственного света).

D3-4-2-1-7c\*\_A1\_Ru

## ОБЯЗАТЕЛЬНАЯ ВЕНТИЛЯЦИЯ

При установке устройства обеспечьте достаточное пространство для вентиляции во избежание повышения температуры внутри устройства (не менее 15 см сверху, 15 см сзади и по 15 см слева и справа).

D3-4-2-1-7d\*\_A1\_Ru

## ПРЕДУПРЕЖДЕНИЕ

В корпусе устройства имеются щели и отверстия для вентиляции, обеспечивающие надежную работу изделия и защищающие его от перегрева. Во избежание пожара эти отверстия ни в коем случае не следует закрывать или заслонять другими предметами (газетами, скатертями и шторами) или устанавливать оборудование на толстом ковре или постели.

D3-4-2-1-7b\*\_A1\_Ru



Если вы желаете утилизировать данное изделие, не выбрасывайте его вместе с обычным бытовым мусором. Существует отдельная система сбора использованных электронных изделий в соответствии с законодательством, которая предполагает соответствующее обращение, возврат и переработку.

Частные клиенты в странах-членах ЕС, в Швейцарии и Норвегии могут бесплатно возвращать использованные электронные изделия в соответствующие пункты сбора или дилеру (при покупке сходного нового изделия).

В странах, не перечисленных выше, для получения информации о правильных способах утилизации обращайтесь в соответствующие учреждения.

Поступая таким образом, вы можете быть уверены в том, что утилизируемый продукт будет соответствующим образом обработан, передан в соответствующий пункт и переработан без возможных негативных последствий для окружающей среды и здоровья людей.

K058b\_A1\_Ru

Данное изделие предназначено для использования в общих хозяйственных целях. В случае возникновения любой неисправности, связанной с использованием в других, нежели хозяйственных целях (таких, как длительное использование в коммерческих целях в ресторане или в автомобиле, или на корабле) и требующей ремонта, такой ремонт осуществляется за плату, даже в течение гарантийного срока.

K041\_A1\_Ru

## МЕРЫ ПРЕДОСТОРОЖНОСТИ ПРИ ОБРАЩЕНИИ С СЕТЕВЫМ ШНУРОМ

Держите сетевой шнур за вилку. Не вытаскивайте вилку, взявшись за шнур, и никогда не касайтесь сетевого шнура, если Ваши руки влажные, так как это может привести к короткому замыканию или поражению электрическим током. Не ставьте аппарат, предметы мебели и т.д. на сетевой шнур, не зажимайте его. Не завязывайте узлов на шнуре и не связывайте его с другими шнурами. Сетевые шнуры должны лежать так, чтобы на них нельзя было наступить. Поврежденный сетевой шнур может стать причиной возникновения пожара или поразить Вас электрическим током. Время от времени проверяйте сетевой шнур. В случае обнаружения повреждения обратитесь за заменой в ближайший сервисный центр или к Вашему дилеру.

S002\*\_A1\_Ru




### Меры предосторожности для DM-40, DM-40-W

Не подключайте входящие в комплект динамики к каким-либо усилителям, кроме того, что входит в комплект поставки. Подключение к любому другому усилителю может стать причиной неисправности или пожара.

SGK006\*\_A1\_Ru

Не закрепляйте эти колонки на стене или потолке, поскольку в случае падения они могут причинить травмы.

SGK007\_A1\_Ru

Графический символ , нанесенный на изделие, обозначает переменный ток. Графический символ , нанесенный на изделие, обозначает постоянный ток. Графический символ , нанесенный на изделие, обозначает оборудование класса защиты II.

D3-8-2-4\_A1\_Ru

## ВНИМАНИЕ

Данное изделие испытывалось в условиях умеренного климата.

D3-8-2-1-7b\_A1\_Ru



# Прочитайте перед использованием (Важно)

## До начала

### Свойства

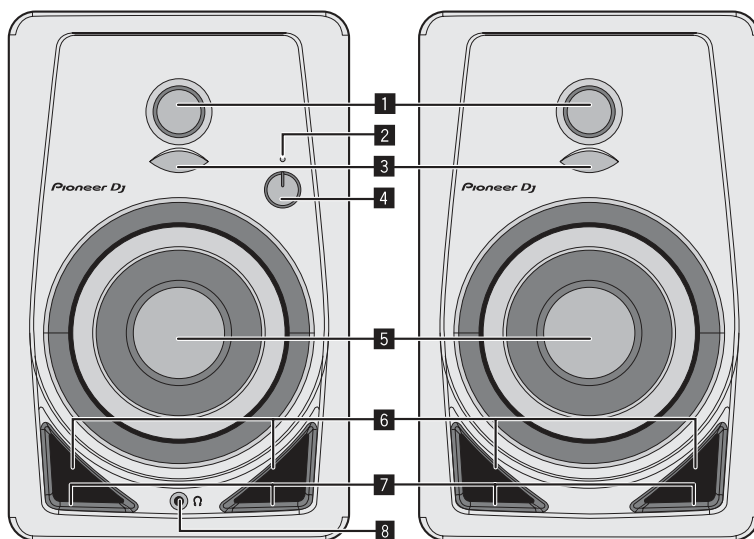
- Сочетание низкочастотного фазоинвертора на передней панели и технологии Groove обеспечивает потрясающее качество звучания.
- Выпуклый диффузор в волноводе новой формы улучшает направленность на высоких частотах и обеспечивает объемное звучание.
- Несмотря на компактность, система удивляет своими насыщенными басами и чистотой звучания.

### Проверка комплектности

- Силовой кабель x1
- Инструкции по эксплуатации (данный документ)
- Переходной аудиокабель (стереофонический мини-штекер 3,5 мм – RCA) – 1 шт
- Соединительный кабель – 1 шт
- Подложки, 8 шт.

## Части системы и их назначение

### Фронтальная панель



**1 Мягкие купольные высокочастотные динамики диаметром 3/4 дюйма**

**2 Индикатор POWER**

Подсветка включается/отключается при включении/отключении питания. В режиме ожидания индикатор не горит.

**3 Диффузоры**

Улучшают направленность на высоких частотах и обеспечивают объемный звук.

**4 Ручка LEVEL**

Служит для регулирования громкости.

**5 Низкочастотные динамики диаметром 4 дюйма из стекловолокна**

**6 Низкочастотные фазоинверторы**

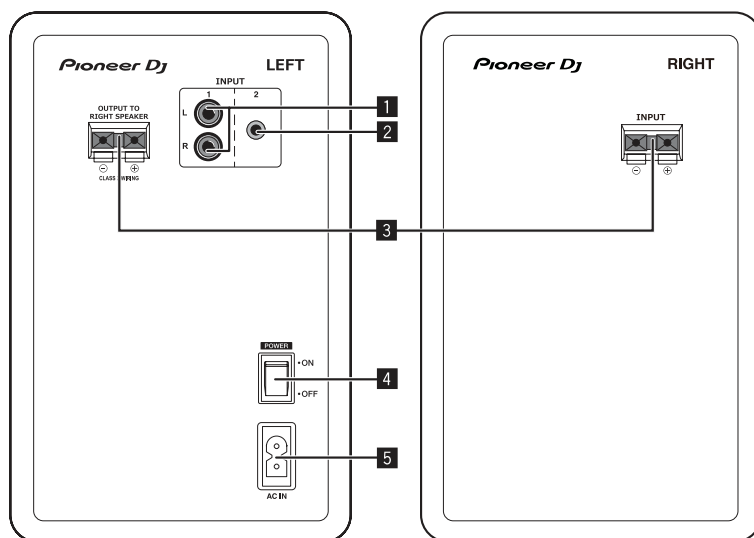
**7 Канавки**

Регулируют воздушный поток через отверстия низкочастотных фазоинверторов для плавного воспроизведения низких частот.

**8 Разъем для наушников**

Гнездо под стереофонический мини-штекер 3,5 мм. При подключении наушников динамики отключаются и звук воспроизводится только через наушники.

## Задняя панель



### 1 Разъемы INPUT 1 (стерео)

Несбалансированные входы под штекеры типа RCA.

### 2 Разъемы INPUT 2 (стерео)

Несбалансированный вход под стереофонический мини-штекер 3,5 мм.

### 3 Соединительные разъемы динамиков

С помощью поставляемого в комплекте кабеля подключите правый и левый динамики.

Подключайте динамики только к усилителю, входящему в состав данной системы. Невыполнение этого требования может привести к повреждению или возгоранию системы.

### 4 Переключатель POWER

Включение и отключение питания данного аппарата.

### 5 Разъем питания переменного тока AC IN

Подключите силовой кабель к разъему AC IN, а затем к электрической розетке.

После завершения всех подключений между устройствами подключите силовой кабель.

Используйте только поставляемый в комплекте силовой кабель.

### ВНИМАНИЕ

Выключатель отключает его от электросети. Чтобы полностью отключить питание устройства, вытащите вилку кабеля питания из электророзетки. Поэтому устройство следует устанавливать так, чтобы вилку кабеля питания можно было легко вытащить из розетки в чрезвычайных обстоятельствах. Во избежание пожара следует извлекать вилку кабеля питания из розетки, если устройство не будет использоваться в течение долгого времени (например, если вы уезжаете в отпуск).

D3-4-2-2a\*\_A1\_Ru



### ПРЕДОСТЕРЕЖЕНИЕ

В системе предусмотрен автоматический переход в режим ожидания.

В отсутствие звукового сигнала в течение заданного времени (прибл. 25 минут) индикатор питания гаснет и система переходит в режим ожидания с низким энергопотреблением.

При поступлении входного акустического сигнала в режиме ожидания система включается автоматически.

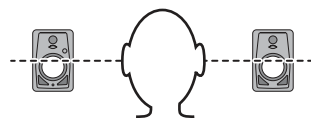
Отключение функции автоматического перехода в режим ожидания не предусмотрено.

## Установка и подключение

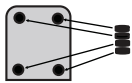
### Процедура установки

Условия в помещении прослушивания оказывают тонкое влияние на звучание воспроизводимых колонками звуков. Для достижения оптимальных условий прослушивания, перед тем как приступить к установке, обратите надлежащее внимание на условия в месте установки.

- Устанавливайте колонки на уровне ушей.
- Для получения естественного стереофонического эффекта левая и правая колонки должны быть установлены симметрично на одинаковом расстоянии от слушателя.



- Прикрепите подложки к днищу аппарата для противоскольжения.

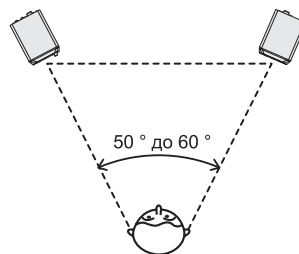


## ПРЕДУПРЕЖДЕНИЕ

Храните небольшие детали вне доступа детей. При случайном заглывании, немедленно обращайтесь к врачу.

D41-6-4\_A1\_Ru

- Устанавливайте динамики на равном расстоянии от предполагаемой точки прослушивания, направив их на эту точку так, чтобы они образовывали угол 60 градусов и развернув друг к другу примерно на 30 градусов.



## ПРЕДОСТЕРЕЖЕНИЕ

Обеспечьте достаточное для оптимального охлаждения пространство между динамиками и близлежащими стенами или другими устройствами (не менее 15 см сверху, сзади, справа и слева от каждого динамика). Нехватка свободного пространства между динамиком и стенами или другими устройствами может привести к повышению температуры внутренних компонентов системы, что может стать причиной неправильной работы или повреждения устройства.

## Подключения

- При подключении динамиков обязательно отключайте питание и отсоединяйте силовой кабель от розетки.
- Смотрите инструкции по эксплуатации к подключаемому компоненту.
- После завершения всех подключений между устройствами подключите силовой кабель.
- Используйте только поставляемый силовой кабель.
- Будьте осторожны при регулировке громкости, поскольку входные сигналы, поступающие через разъемы [INPUT 1] и [INPUT 2], комбинируются.

## Подключение кабелей

Подключение соединительного кабеля, поставляемого в комплекте, к динамикам.

### 1 Зачистите конец поставляемого в комплекте соединительного кабеля длиной примерно 1 см и удалите с него изоляцию, скручивая при этом жилу кабеля.

После этого убедитесь, что все проволоки жилы надежно скручены между собой.



### 2 Подключите поставляемый в комплекте соединительный кабель к разъемам левого и правого динамиков.

### 3 Прижимая фиксатор, вставьте жилу кабеля в разъем динамика.

Подключите провод соединительного кабеля с красной полосой к положительному разъему динамика «+» (красному), а другой провод – к отрицательному разъему динамика «-» (черному).



## ПРЕДОСТЕРЕЖЕНИЕ

- Подключив провода к разъемам, слегка потяните соединительный кабель, чтобы убедиться, что они надежно закреплены. В результате плохого контакта звук может воспроизводиться с прерыванием или шумами.
- Тщательно скручивайте проволоки жилы соединительного кабеля при его подключении; убедитесь, что они не выступают из разъемов динамика. Выступающие проволоки могут соприкоснуться с задней панелью или друг с другом. Это может привести к чрезмерной нагрузке на усилитель и стать причиной неправильной работы или выхода системы из строя.
- Для достижения нормального стереоэффекта обязательно соблюдайте полярность (+, -) левого и правого разъемов при подключении соединительного кабеля к левому и правому динамикам.

# Дополнительная информация

## Возможные неисправности и способы их устранения

- В некоторых случаях неполадка может заключаться на другом компоненте. Проверьте другие компоненты, а также используемые электроприборы. Если проблему невозможно решить, обратитесь в ближайший авторизованный сервисный центр Pioneer или к дилеру для проведения ремонта.
- Данный аппарат может не срабатывать соответствующим образом по причине статического электричества или других внешних факторов. В таком случае, обычную работу можно возобновить, отсоединив силовой кабель, подождав примерно 5 секунд или более, затем снова подключив силовой кабель.

Неисправность	Проверьте	Способ устранения
Не включается питание.	Подключен-ли силовой кабель соответствующим образом?	Подключите силовой кабель к розетке переменного тока.
	Возможно подключенное устройство настроено неправильно?	Настройте внешний источник сигнала и отрегулируйте уровень громкости.
Нет звука или недостаточно громкий звук от подключенного устройства.	Подключены-ли соединительные кабели соответствующим образом?	Подключите соединительные кабели соответствующим образом.
	Не загрязнены-ли терминалы и штекеры?	Перед выполнением подключений очистите терминалы и штекеры.
	Возможно регулятор громкости не установлен в соответствующее положение?	Для увеличения громкости поверните ручку [LEVEL] на передней панели этого устройства по часовой стрелке.
	Возможно к устройству не подается питание?	Переведите расположенный на задней панели этого устройства переключатель [POWER] в положение ON.
Не горит индикатор питания (белый).	Возможно к устройству не подается питание?	Переведите расположенный на задней панели этого устройства переключатель [POWER] в положение ON.
	Возможно динамики находятся в режиме ожидания?	Переведите расположенный на задней панели этого устройства переключатель [POWER] в положение OFF, а затем через несколько секунд снова переведите его в положение ON.
Устройство (при включенном питании) не выходит из режима ожидания.	Возможно уровень входного сигнала слишком низок?	Увеличьте уровень входного сигнала.
Искажение звучания.	Возможно регулятор громкости не установлен в соответствующее положение?	Для уменьшения громкости поверните ручку [LEVEL] на передней панели этого устройства против часовой стрелки.
	Возможно уровень входного сигнала от подключенного устройства выбран неверно?	Отрегулируйте уровень выходного сигнала подключенного устройства.
Звуковые колебания (непрерывное воспроизведение на высокой громкости).	Возможно регулятор громкости не установлен в соответствующее положение?	Для уменьшения громкости поверните ручку [LEVEL] на передней панели этого устройства против часовой стрелки.
Звук воспроизводится только через левый динамик.	Возможно соединительный кабель подключен неверно?	Соедините левый и правый динамики должным образом.
Звук воспроизводится только через один динамик.	Возможно устройство подключено неверно?	Подключите устройство к правому и левому входному разъему.

## О торговых марках и зарегистрированных торговых марках

- «Pioneer DJ» является зарегистрированным товарным знаком корпорации PIONEER CORPORATION и используется по лицензии.
- Указанные здесь названия компаний и изделий являются торговыми марками или зарегистрированными торговыми марками соответствующих владельцев.

## Технические характеристики

DM-40, DM-40-W	
Модель	Двухполосная активная акустическая система
Усилитель	
Выходы усилителя	Левый канал: 21 Вт / 4 Ω, класс AB Правый канал: 21 Вт / 4 Ω, класс AB
Входные разъемы	RCA – 1 шт.; разъем для мини-штекера 3,5 мм для стереокабеля – 1 шт
Импеданс входа	10 кΩ
Выходные разъемы	Наушники – 1
Динамики	
Корпус	Фазоинверторный / ламинированная древесноволокнистая плита средней плотности с виниловым покрытием
Низкочастотный динамик	Диаметр 4 дюйма (102 мм), конический
Высокочастотный динамик	Диаметр 3/4 дюйма (19 мм), мягкий купольный
Блок питания / другие параметры	
Поддерживаемые уровни напряжения	110 В до 240 В переменного тока, 50 Гц/60 Гц
Энергопотребление	35 Вт
Энергопотребление в режиме ожидания	0,5 Вт или менее
Габаритные размеры (Ш × В × Г)	Левая колонка: 146 × 227 × 223 мм Правая колонка: 146 × 227 × 210 мм
Вес	Левая колонка: 2,7 кг
	Правая колонка: 2,2 кг

- Технические характеристики и конструкция данного изделия могут изменяться без уведомления.
- © Pioneer DJ Corporation 2016. Все права защищены.

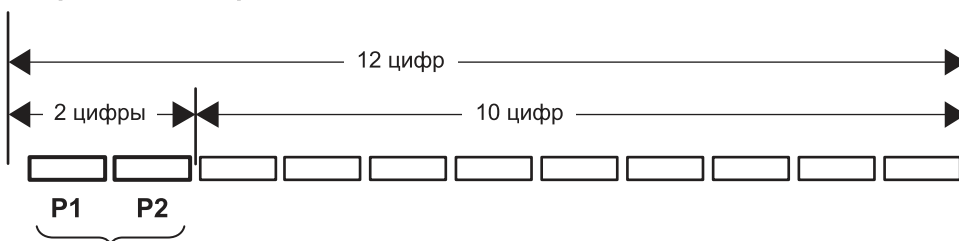
**Примечание:**

Корпорация Пайонир Диджей устанавливает следующую продолжительность срока службы официально поставляемых на Российский рынок товаров.

Аудио и видеооборудование: 7 лет  
 Переносное аудиооборудование: 6 лет  
 Другое оборудование (наушники, микрофон и т.д.): 5 лет

D3-7-10-6b\_B1\_Ru

Дату изготовления оборудования можно определить по серийному номеру, который содержит информацию о месяце и годе производства.

**Серийный номер**

Дата изготовления оборудования

**P1 - Год изготовления**

Год	2001	2002	2003	2004	2005	2006	2007	2008	2009	2010
Символ	A	B	C	D	E	F	G	H	I	J

Год	2011	2012	2013	2014	2015	2016	2017	2018	2019	2020
Символ	K	L	M	N	O	P	Q	R	S	T

**P2 - Месяц изготовления**

Месяц	1	2	3	4	5	6	7	8	9	10	11	12
Символ	A	B	C	D	E	F	G	H	I	J	K	L

D3-7-10-7\_A1\_Ru

**Информация для покупателей в ЕАЭС:**

Уполномоченной организацией в соответствии с требованиями ТР ТС 004/2011, 020/2011, 017/2011 является ООО "ПИОНЕР РУС", Россия, 105064, г. Москва, Нижний Сусальный переулок, дом 5, строение 19, т. (495) 9568901

D3-7-10-8b\_A1\_Ru

感谢您惠购先锋DJ产品。请通读使用说明书，了解本型号的正确操作方法。通读之后，请妥善保存，以备日后参考。

## 注意

为避免触电危险，请勿拆卸上下盖（或背面板），以避免触电或受伤，机内无任何可供维修使用的零件，若需维修服务请联络专业维修人员。

D3-4-2-1-1\_B1\_Zhtw

## 警告

本机不防水。为防止起火或触电事故，请勿将本机置放於任何盛装液体的容器（如花瓶或花盆）附近或将其暴露於漏水、溅水、雨中或潮湿环境中。

D3-4-2-1-3\_A1\_Zhtw

## 警告

为防止火灾，请勿将明火源（如点燃的蜡烛）放置於本机上。

D3-4-2-1-7a\_A1\_Zhtw

## 操作环境

操作环境温度与湿度：

+5 °C 至 +35 °C (+41 °F 至 +95 °F)；小於85 %RH（勿堵塞冷却孔）

请勿在通风不良处、暴露於高湿度或阳光直射（或强烈的人造光源）的场所安装本机。

D3-4-2-1-7c\*\_A1\_Zhtw

## 通风注意事项

安装本机时，请确定在本机四周预留足够的空间以利通风（顶部15 cm、背面15 cm、及两侧15 cm以上）。

D3-4-2-1-7d\*\_A1\_Zhtw

本产品上的图示符号  表示交流电。  
本产品上的图示符号  表示直流电。  
本产品上的图示符号  表示第II类设备。

D3-8-2-4\_A1\_Zhtw

## 注意

本产品係在温和的气候条件下接受评估。

D3-8-2-1-7b\_A1\_Zhtw

若产品附有 RoHS 标记，代表该产品符合台湾“电机电子类设备降低限用化学物质含量标准(CNS 15663)”。标准中规定之“限用物质含有情况标示”内容，可进入以下网址取得  
URL: <http://www.pioneer-twn.com.tw/p7-download2.asp>

D55-11-3\_A1\_Zhtw

## 电源线注意事项

请手持插头部分挪动电源线。拔下插头时勿拉扯电源线，且勿用湿手去碰电源线，因为这样可能会导致短路或电击。勿将本装置、家具或其他物件压在电源线上，或以其他方式挤压电源线。切勿将电源线打结或和其他的线捆绑。电源线的布线应防止被人踩在上面。电源线受损可能会导致火灾，或造成人员触电。经常检查电源线。如果您发现电源线受损，请就近至先锋DJ公司授权维修中心或销售商进行更换。

S002\*\_A1\_Zhtw

### DM-40, DM-40-W注意事项

请勿连接到非本扬声器配备的任何其他放大器。连接到任何其他放大器可能会导致故障或火灾。

SGK006\*\_A1\_Zhtw

请勿将这些扬声器挂在墙壁或天花板上，以免因掉落而导致受伤。

SGK007\_A1\_Zhtw

本产品只适宜一般家庭用途。如果是由于应用在其他非家庭用途(如做为商业用途而长期使用於餐厅中，或者使用於汽车或船中)而导致发生故障並需要修理，在保用期间必须承担修理费用。

K041\_A1\_Zhtw

## 警告

机壳上具有之缝隙及开口用於通风，以確保本产品之正常操作並防止過熱。為避免火灾，請勿堵塞開口或用物品（如報紙、桌布、簾幕）將其覆蓋，也請勿在厚毯或床上操作本机。

D3-4-2-1-7b\*\_A1\_Zhtw

---

---

# 使用前請閱讀（重要）

---

---

---

---

## 開始前

---

---

---

---

### 功能與特色

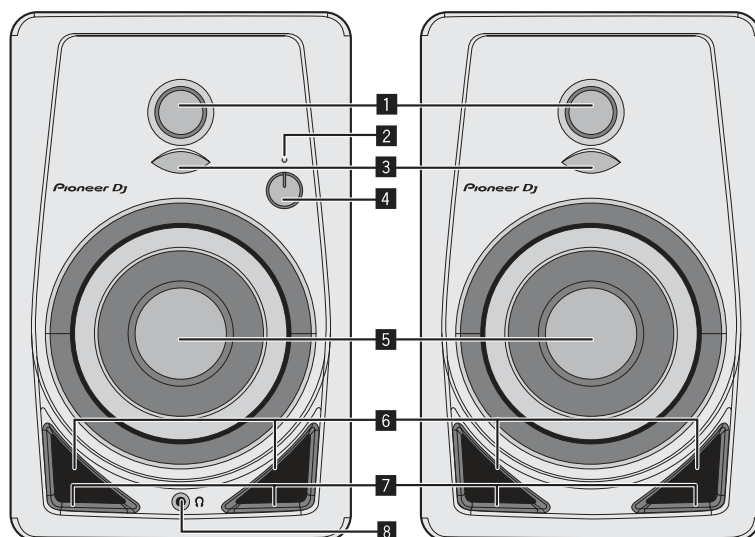
- 前方的低音反射管及 Groove 技術可產生強烈的大鼓音。
  - 新型波導上的凸擴散器改善高頻音的指向性並提供渾厚的聲音。
  - 雖然是桌上型的精巧尺寸，卻擁有豐富的低音和清澈的聲音品質。
- 
- 

### 確認配件

- 電源線 x1
- 操作手冊（本手冊）
- 音訊轉換傳輸線（3.5 mm RCA 立體聲迷你插頭）×1
- 喇叭線 X 1
- 底部緩衝墊 x8

# 各部名稱及功能

## 前面板



**1** 3/4 吋軟球高音單體

**2** POWER 指示燈

燈光連結電源開關。待機時指示燈熄滅。

**3** 擴散器

改善高頻音的指向性並提供渾厚的聲音。

**4** LEVEL 控制鍵

調節音量。

**5** 4 吋光纖單體

**6** 低音反射管

**7** Grooves

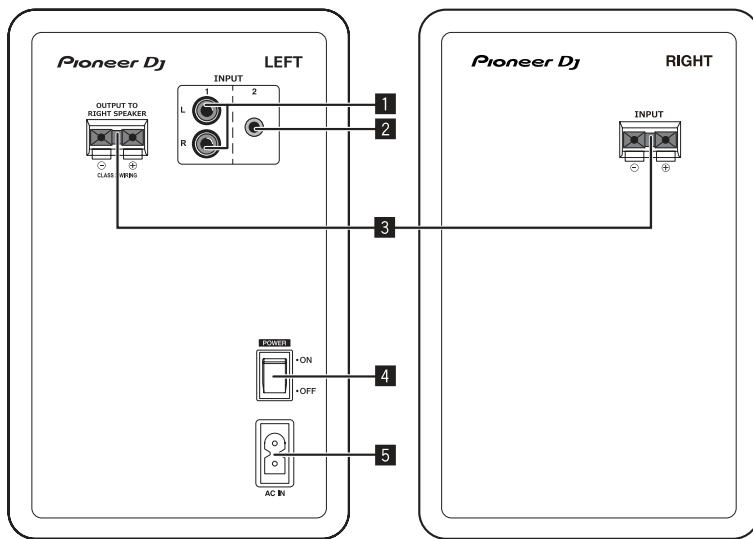
調節低音反射管的氣流，以達到順暢的低頻輻射。

**8** 耳機端子

3.5 mm 立體聲迷你插頭型輸出端子。  
揚聲器輸出的聲音會在耳機連接後轉為靜音，留下耳機輸出的聲音。



# 後面板



## 1 INPUT 1 端子 (立體聲)

RCA 針式不平衡輸入端子。

## 2 INPUT 2 端子 (立體聲)

3.5 mm 立體聲迷你插頭型不平衡輸入端子。

## 3 揚聲器連接的連接器

請使用隨附的連接線連接左右揚聲器。

請勿將揚聲器連接至本系統以外的擴大機。  
否則可能造損壞或火警。

## 4 POWER 開關

開啟及關閉本機電源。

## 5 AC IN

請將電源線連接至 AC IN 然後再插入電源插座。

完成裝置之間的所有接線後，請連接電源線。  
請務必使用隨附的電源線。

### 注意

本機POWER開關不完全將電源自交流電插座切斷。因電源線為本機主要電源切斷裝置，您需要將插頭拔除以切斷所有電力。因此，請確認本機安裝時電源線可輕易自交流電插座拔除以防止意外。為防止火災，當本機處於長時間未使用之情形（如假期中）時，請將主電源插頭自牆上插座拔除以切斷電源。

D3-4-2-2a\*\_A1\_Zhtw

### ⚠️ 小心

本產品具有自動待機功能。

使用時若聲音中斷達到設定的時間（約 25 分鐘），本產品會自動關閉電源指示燈進入低功耗的待機狀態。

待機狀態中接到音訊信號輸入時，本產品會自動進入通電狀態。

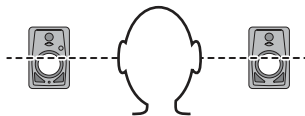
本自動待機功能無法停用。

# 安裝與連線

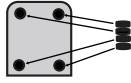
## 安裝步驟

揚聲器的播放音效會稍微受到聆聽房間環境的影響。若要產生最佳的聆聽環境，在開始實際安裝前，請適當考慮您安裝位置的環境。

- 放置於耳部位置。
- 如需天然立體聲效果，可在聆聽位置的對稱及等距位置上安裝左右揚聲器。



- 將隨附的緩衝墊附著在機器底部以防止滑倒。

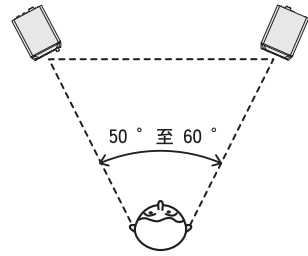


### 警告

請將小零件存放在小孩與嬰兒無法拿取之處。  
若意外吞入，請立即送醫。

D41-6-4\_A1\_Zhtw

- 揚聲器的安裝要面朝內並與聽賞位置呈 60 度的總角度，左邊和右邊的揚聲器各為 30 度。



### ⚠️ 小心

為促進良好的冷卻，請確保揚聲器與旁邊的牆面或其他組件間留有足夠的空間（每支揚聲器的後面、左側和右側最少要有 15 公分以上的間距）。揚聲器與牆面或其他組件間間距不足可能導致內部溫度高升造成故障或損壞。

## 連接

- 確定在每次接線或變更接線之前，關閉電源並從電源插座上拔下電源線。
- 有關已連接元件，請參閱操作手冊。
- 完成裝置之間的所有接線後，請連接電源線。

- 請確定使用隨附電源線。
- 請留意相關音量，因為 [INPUT 1] 端子和 [INPUT 2] 端子輸入的信號是混合式的。

## 連接線

請以隨附的揚聲器線來連接揚聲器。

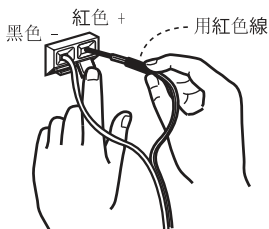
- 在隨附的揚聲器線的線頭處剝開大約 1 公分並擰轉及去除掉外露的絕緣層。  
去除掉絕緣層後將芯線完全地擰在一起。



- 將隨附的揚聲器線連接至 LEFT 和 RIGHT 邊的揚聲器端子上。

- 一邊壓下揚聲器端子上的抓片一邊將芯線插入端子。

將揚聲器線的紅色線連接到 + 端子這邊（紅色），不是紅色那根則連接到 - 端子這邊（黑色）。



### ⚠️ 小心

- 連接上端子後，請輕拉一下揚聲器線，確認揚聲器線的線頭已與端子連接牢固。鬆弛的連接可能造成音訊輸出中斷或輸出噪音。
- 連接揚聲器線時，請將芯線完全地擰在一起並確認沒有芯線會突出揚聲器端子外。突出到揚聲器外的芯線可能會接觸到後板或彼此相觸。這可能造成擴大機上的過度負載，導致作業停止或故障。
- 連接 LEFT 和 RIGHT 邊的揚聲器線時，若發生 LEFT 和 RIGHT 邊的極性 (+, -) 錯誤，則不會有正常的立體聲功效。

# 其他資訊

## 故障排除

- 有時問題可能是其他裝置所產生。請檢查其他裝置和使用的電源設備。若無法修正問題，請就近洽詢先鋒授權維修中心，或要求經銷商進行維修。
- 本機可能會因靜電或其他外在因素導致無法操作。此時，可透過拔下電源線，等待 5 秒或以上，然後再插回電源線插頭以還原正常操作。

問題	檢查	解決方法
電源是否未開啟。	電源線的連接是否正確？	電源線插頭是否插入 AC 電源插座。
	連接設備的設定是否正確？	正確地設定設備的外部輸入以及音量。
	連接線的連接是否正確？	正確連接連接線。
連接的設備沒有聲音輸出或聲音很小。	端子及插頭是否有污垢？	連接前，請清潔端子及插頭。
	音量是否設到正確位置？	順時針方向旋轉本裝置前面板上的 [LEVEL] 控制來增加音量。
	電源是否開啟？	請將本裝置後面板上的 [POWER] 開關開啟。
POWER 指示燈(白色)並未亮起。	電源是否開啟？	請將本裝置後面板上的 [POWER] 開關開啟。
	揚聲器是否處於待機狀態？	請先關閉本裝置後面板上的 [POWER] 開關並靜待數秒後再重新開啟一次。
本裝置無法從待機狀態恢復(電源開啟)。	輸入信號的位準是否太低？	增加輸入信號的位準。
音效失真。	音量是否設到正確位置？	逆時針方向旋轉本裝置前面板上的 [LEVEL] 控制來降低音量。
	從連接設備來的輸入位準是否正確？	正確地調節連接設備的輸出位準。
振盪(持續輸出巨響)。	音量是否設到正確位置？	逆時針方向旋轉本裝置前面板上的 [LEVEL] 控制來降低音量。
只有左揚聲器輸出聲音。	揚聲器連接線的連接是否正確？	正確地連接好左邊和右邊的揚聲器。
只有一支揚聲器輸出聲音。	設備的連接是否正確？	請將設備連接至左和右的輸入端子。

## 關於商標及註冊商標

- 「Pioneer DJ」是先鋒公司的商標，並在授權下使用。
- 此處提及之公司及產品名稱皆為個別擁有者所有之商標或註冊商標。

# 規格

DM-40, DM-40-W	
機型	2 音路有源揚聲器
擴大機部分	
擴大機輸出	左聲道：21 W/4 $\Omega$ , Class AB
	右聲道：21 W/4 $\Omega$ , Class AB
輸入端子	RCA $\times$ 1, 3.5 mm 立體聲迷你插頭 $\times$ 1
輸入阻抗	10 k $\Omega$
輸出端子	耳機 $\times$ 1
揚聲器部分	
外殼	低音型／塑膠壓合 MDF
低音喇叭（低頻單元）	4 吋（102 mm）圓錐
高音喇叭（高頻單元）	3/4 吋（19 mm）軟球
電源部分／其他	
支援電壓	AC 110 V 至 240 V、50 Hz/60 Hz
功耗	35 W
待機狀態的功耗	0.5 W 或更少
外尺寸 寬 x 高 x 深	左聲道：146 mm $\times$ 227 mm $\times$ 223 mm
	右聲道：146 mm $\times$ 227 mm $\times$ 210 mm
重量	左聲道：2.7 kg
	右聲道：2.2 kg

- 本產品規格及設計如有變更，恕不另行通知。
- © 2016 Pioneer DJ Corporation. 保留所有權利。



# ご使用の前に（重要）

## 安全上のご注意

- 安全にお使いいただくために、必ずお守りください。
- ご使用の前にこの「安全上のご注意」をよくお読みのうえ、正しくお使いください。

この取扱説明書および製品には、製品を安全に正しくお使いいただき、あなたや他の方々への危害や財産への損害を未然に防止するために、いろいろな絵表示をしています。その表示と意味は次のようになっています。内容をよく理解してから本文をお読みください。

### 警告

この表示を無視して、誤った取り扱いをすると、人が死亡または重傷を負う可能性が想定される内容を示しています。

### 注意

この表示を無視して、誤った取り扱いをすると、人が損害を負う可能性が想定される内容、および物的損害のみの発生が想定される内容を示しています。

### 絵表示の例



△記号は注意（警告を含む）しなければならない内容であることを示しています。図の中に具体的な注意内容（左図の場合は感電注意）が描かれています。



⊘記号は禁止（やってはいけないこと）を示しています。図の中に具体的な禁止内容（左図の場合は分解禁止）が描かれています。



●記号は行動を強制したり、指示したりする内容を示しています。図の中に具体的な指示内容（左図の場合は電源プラグをコンセントから抜く）が描かれています。

## 警告

### 異常時の処置



万一煙が出ている、変なにおいや音がるなどの異常状態のまま使用すると火災・感電の原因となります。すぐに機器本体の電源スイッチを切り、必ず電源プラグをコンセントから抜いてください。煙が出なくなるのを確認して販売店に修理をご依頼ください。お客様による修理は危険ですから絶対おやめください。



万一内部に水や異物等が入った場合は、まず機器本体の電源スイッチを切り、電源プラグをコンセントから抜いて販売店にご連絡ください。そのまま使用すると火災・感電の原因となります。



万一本機を落としたり、カバーを破損した場合は、機器本体の電源スイッチを切り、電源プラグをコンセントから抜いて販売店にご連絡ください。そのまま使用すると火災・感電の原因となります。

### 設置



電源プラグの刃および刃の付近にほこりや金属物が付着している場合は、電源プラグを抜いてから乾いた布で取り除いてください。そのまま使用すると火災・感電の原因となります。



電源コードの上に重い物を載せたり、コードが本機の下敷きにならないようにしてください。また、電源コードが引っ張られないようにしてください。コードが傷ついて、火災・感電の原因となります。コードの上を敷物などで覆うことにより、それに気付かず、重い物を載せてしまうことがあります。

放熱をよくするため、他の機器、壁等から間隔をとり、ラックなどに入れるときはすき間をあけてください。また、次のような使い方で通風孔をふさがらないでください。内部に熱がこもり、火災の原因となることがあります。

- あおむけや横倒し、逆さまにする。
- 押し入れなど、風通しの悪い狭いところに押し込む。
- じゅうたんやふとんの上に置く。
- テーブルクロスなどをかける。

着脱式の電源コード（インレットタイプ）が付属している場合のご注意：付属の電源コードはこの機器のみで使用することを目的とした専用品です。他の電気製品ではご使用になれません。他の電気製品で使用した場合、発熱により火災・感電の原因となることがあります。また電源コードは本製品に付属のもの以外は使用しないでください。他の電源コードを使用した場合、この機器の本来の性能が出ないことや、電流量不足による発熱により火災・感電の原因となることがあります。

### 使用環境



本機に水が入ったり、ぬれたりしないようにご注意ください。火災・感電の原因となります。雨天、降雪中、海岸、水辺での使用は特にご注意ください。



風呂場、シャワー室等では使用しないでください。火災・感電の原因となります。



表示された電源電圧以外の電圧で使用しないでください。火災・感電の原因となります。



本機を使用できるのは日本国内のみです。船舶などの直流（DC）電源には接続しないでください。火災の原因となります。

### 使用方法



本機の上に花びん、植木鉢、コップ、化粧品、薬品や水などの入った容器または小さな金属物を置かないでください。こぼれたり、中に入った場合、火災・感電の原因となります。



ぬれた手で（電源）プラグを抜き差ししないでください。感電の原因となることがあります。



本機の通風孔などから、内部に金属類や燃えやすいものを差し込んだり、落とし込んだりしないでください。火災・感電の原因となります。特にお子様のいるご家庭ではご注意ください。



本機のカバーを外したり、改造したりしないでください。内部には電圧の高い部分があり、火災・感電の原因となります。内部の点検・整備・修理は販売店にご依頼ください。



電源コードを傷つけたり、加工したり、無理に曲げたり、ねじったり、引っ張ったり、加熱したりしないでください。コードが破損して火災・感電の原因となります。コードが傷んだら（芯線の露出、断線など）、販売店に交換をご依頼ください。



雷が鳴り出したらアンテナ線や電源プラグには触れないでください。感電の原因となります。



本機は、天井や壁に取り付けしないでください。本機が落下し大けがをすることがあり大変危険です。

## 注意

### 設置



電源プラグは、コンセントに根元まで確実に差し込んでください。差し込みが不完全ですと発熱したり、ほこりが付着して火災の原因となることがあります。また、電源プラグの刃に触れると感電することがあります。



電源プラグは、根元まで差し込んでもゆるみがあるコンセントには接続しないでください。発熱して火災の原因となることがあります。販売店や電気工事店にコンセントの交換を依頼してください。



ぐらついた台の上や傾いたところなど不安定な場所に置かないでください。落ちたり、倒れたりしてけがの原因となることがあります。



本機を調理台や加湿器のそばなど油煙、湿気あるいはほこりの多い場所に置かないでください。火災・感電の原因となることがあります。

次のような場所には設置しないでください。

- 直射日光のあたる場所、暖房器具に近い場所。
- 風通しが悪く、湿気やほこりの多い場所。
- 振動や傾斜のある、不安定な場所。
- アルコール類やスプレー式の殺虫剤など、引火性のものを使用する場所。
- カセットデッキなど、磁界に影響される機器の近く。



チューナーのアンテナケーブルから離して設置してください。近くに置いた場合に雑音が出る場合があります。このようなときはアンテナやアンテナケーブルから本機を離してご使用になるか、やむを得ない場合は本機の電源を切ってください。



テレビ、オーディオ機器、コントローラー等に機器を接続する場合は、それぞれの機器の取扱説明書をよく読み、電源を切り、説明に従って接続してください。また、接続は指定のコードを使用してください。



本機の上に重いものや外枠からはみ出るような大きなものを置かないでください。バランスがくずれて倒れたり、落下してけがの原因となることがあります。



電源プラグを抜く時は、電源コードを引っ張らないでください。コードが傷つき火災・感電の原因となることがあります。必ずプラグを持って抜いてください。



電源コードを熱器具に近づけないでください。コードの被ぶくが溶けて、火災・感電の原因となることがあります。



移動させる場合は、電源スイッチを切り必ず電源プラグをコンセントから抜き、外部の接続コードを外してから、行ってください。コードが傷つき火災・感電の原因となることがあります。



窓を閉め切った自動車の中や直射日光が当たる場所など、異常に温度が高くなる場所に放置しないでください。火災の原因となることがあります。



本機の上に火がついたろうそくなどの裸火を置かないでください。火災の原因となります。



スタンド等に取り付けてご使用の場合も、ぐらついた台の上や傾いたところなど不安定な場所に置かないでください。落ちたり、倒れたりしてけがの原因となることがあります。



取付金具やスタンド等を使用する場合は、十分な安全性を確保できるだけの強度があることを必ずご確認ください。また不安定なスタンドを使わないでください。



取り付け後は必ず安全性を確認してください。また、その後も定期的に安全性を確認してください。

## 使用方法



本機のダクトやすき間から金属や紙片などの異物を入れないでください。感電、ショート、火災や故障の原因になることがあります。入った場合は、まず機器本体の電源スイッチを切り、電源プラグをコンセントから抜いて販売店にご連絡ください。そのまま使用すると火災・感電の原因となります。



本機のダクトやすき間に手や指を入れないでください。けがをするおそれがあります。



音が歪んだ状態で長時間使わないでください。スピーカーが発熱し、火災の原因となることがあります。



本機に乗ったり、ぶら下がったりしないでください。特にお子様はご注意ください。倒れたり、壊れたりしてけがの原因になることがあります。



電源を入れる前には音量を最小にしてください。突然大きな音が出て聴力障害などの原因となることがあります。



ヘッドホンをご使用になる時は、音量を上げすぎないようにご注意ください。耳を刺激するような大きな音量で長時間続けて聞くと、聴力に悪い影響を与えることがあります。



旅行などで長期間ご使用にならないときは、安全のため必ず電源プラグをコンセントから抜いてください。

## 保守・点検



5年に一度くらいは内部の掃除を販売店などにご相談ください。内部にほこりがたまったら、長い間掃除をしないと火災や故障の原因となることがあります。特に湿気の多くなる梅雨期の前に行うと効果的です。なお、掃除費用については販売店などにご相談ください。



お手入れの際は安全のために電源プラグをコンセントから抜いて行ってください。

## 設置場所について

- 熱を発生するアンプなどの上に直接置いたり、スポットライトなどの近くで長時間使用すると、本体に悪い影響を与えますので、おやめください。
- チューナーやテレビから離して設置してください。近くに置いた場合は、雑音や映像の乱れが生じることがあります。なお、雑音や映像の乱れは室内アンテナをご使用の場合に起こりやすく、このようなときは、屋外アンテナを使用するか、本機の電源を切ってください。

製品上の図示記号  $\sim$  は交流電流を意味します。  
製品上の図示記号  $==$  は直流電流を意味します。  
製品上の図示記号  $\square$  はクラス II 機器を意味します。

D3-8-2-4\_A1\_Ja

## 製品のお手入れについて

通常は、柔らかい布でから拭きしてください。汚れがひどい場合は水で5～6倍に薄めた中性洗剤に柔らかい布を浸してよく絞ったあと、汚れを拭き取り、そのあと乾いた布で拭いてください。アルコール、シンナー、ベンジン、殺虫剤などが付着すると印刷、塗装などがはげることがありますのでご注意ください。また、ゴムやビニール製品を長時間触れさせることも、キャビネットを傷めますので避けてください。化学ぞうきんなどをお使いの場合は、化学ぞうきんなどに添付の注意事項をよくお読みください。

お手入れの際は、電源プラグをコンセントから抜いて行ってください。

### 本機の使用環境について

本機の使用環境温度範囲は5℃～35℃、使用環境湿度は85%以下(通風孔が妨げられていないこと)です。

風通しの悪い所や湿度が高すぎる場所、直射日光(または人工の強い光)の当たる場所に設置しないでください。

D3-4-2-1-7c\_A1\_Ja

## 音のエチケット



音のエチケット

楽しい音楽も時と場所によっては気になるものです。隣近所への思いやりを十分にいたしましょう。ステレオの音量はあなたの心がけ次第で大きくも小さくもなります。特に静かな夜間には小さな音でも通りやすいものです。夜間の音楽鑑賞にはとくに気を配りましょう。近所へ音が漏れないように窓を閉めたり、ヘッドホンで聞くのも一つの方法です。お互いに心を配り、快い生活環境を守りましょう。

K021\_A1\_Ja

本機は一般家庭用機器として作られたものです。一般家庭用以外(例えば飲食店等での営業用の長時間使用、車輛、船舶への搭載使用)で使用し、故障した場合は、保証期間内でも有償修理を承ります。

K041\_A1\_Ja

## 愛情点検



### 長年ご使用のAV機器の点検を!

このような症状はありませんか

- ・電源コードや電源プラグが異常に熱くなる。
- ・電源コードにさけめやひび割れがある。
- ・電源が入ったり切れたりする。
- ・本体から異常な音、熱、臭いがする。



ご使用中止

故障や事故防止のため、すぐに電源を切り、電源プラグをコンセントから抜き、必ず販売店にご相談ください。

K026\*\_A1\_Ja

組み立て、取り付けの不備、取り付け強度不足、誤使用、改造、天災などによる事故損傷については、弊社は一切責任を負いません。



# はじめに

## 本機の特長

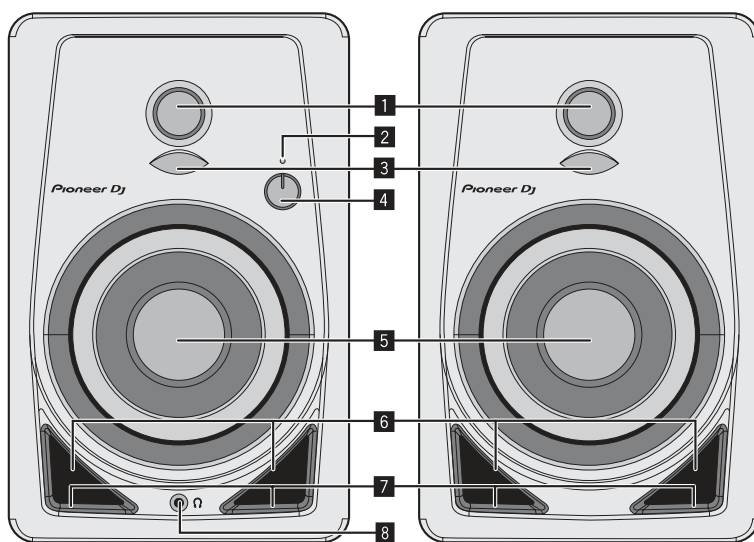
- フロントに配置したバスレフダクトと、Groove 技術の採用により、力強いキック音を実現しました。
- 新形状のウェーブガイドに搭載した凸形状ディフューザーによる高音域の指向性改善と広がり感を実現しました。
- 卓上に設置できるコンパクトなサイズでありながら豊かな低音とクリアな音質を両立しました。

## 付属品を確認する

- 電源コード× 1
- 取扱説明書（本書）
- 日本国内用保証書（取扱説明書裏表紙に記載）
- オーディオ変換ケーブル（3.5 mm ステレオミニプラグ — RCA）× 1
- スピーカーコード× 1
- ボトムクッション× 8

## 各部の名称と機能

### 本体前面部



1 3/4 インチ ソフトドームトゥイーター

2 POWER インジケーター

電源のオン / オフに連動して点灯します。スタンバイ時は消灯します。

3 ディフューザー

高音域の指向性を改善し、広がり感を実現します。

4 LEVEL ツマミ

音量を調整します。

5 4 インチ グラスファイバーウーファー

6 バスレフダクト

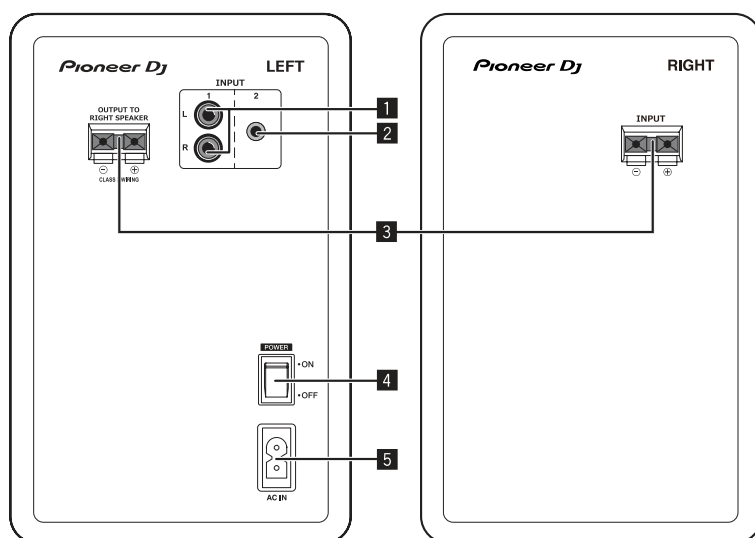
7 グループ

バスレフダクトの空気の流れを整え低音をスムーズに放射します。

8 ヘッドフォン端子

3.5 mm ステレオミニプラグタイプの出力端子です。ヘッドフォンを接続すると、スピーカーから出る音がミュートされてヘッドフォンからだけ音が出力されます。

## 本体背面部



- 1 INPUT 1 端子 (ステレオ)**  
RCA ピンタイプのアンバランス型入力端子です。
- 2 INPUT 2 端子 (ステレオ)**  
3.5 mm ステレオミニプラグタイプのアンバランス型入力端子です。
- 3 スピーカー接続コネクター**  
付属のコードを使って、左右のスピーカーを接続してください。本スピーカーを本システム以外のアンプに接続して使用しないでください。故障・火災の原因となることがあります。
- 4 POWER スイッチ**  
本機の電源をオン/オフします。
- 5 AC IN**  
電源コードを接続してコンセントに接続します。電源コードは、機器の接続がすべて終わってから接続してください。必ず付属の電源コードをご使用ください。

### ⚠ 注意

製品の仕様により、本体部やリモコン（付属の場合）のスイッチを操作することで表示部がすべて消えた状態となり、電源プラグをコンセントから抜いた状態と変わらずに見える場合がありますが、電源の供給は停止していません。製品を電源から完全に遮断するためには、電源プラグ（遮断装置）をコンセントから抜く必要があります。製品はコンセントの近くで、電源プラグ（遮断装置）に簡単に手が届くように設置し、旅行などで長期間ご使用にならないときは電源プラグをコンセントから抜いてください。火災の原因となることがあります。  
<D3-7-12-5-2a\_A1\_Ja>

### ⚠ 注意

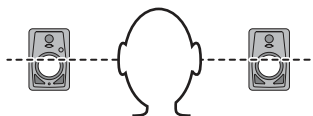
この製品にはオートスタンバイ機能が内蔵されております。ご使用中に無音状態が一定時間（約 25 分）継続しますと自動的に POWER インジケータが消灯して低消費電力のスタンバイ状態になります。またスタンバイ状態で音声信号の入力があると自動的に電源オン状態になります。このオートスタンバイ機能を解除することはできません。

## 設置と接続

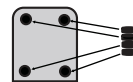
### 設置方法

スピーカーの再生音は、リスニングルームの条件によって微妙な影響を受けやすいものです。最適な状態でご使用いただくために、スピーカーを取り付ける前に設置場所を十分検討してください。

- スピーカーは耳の高さに設置してください。
- 左右のスピーカーは、視聴位置に対して等距離で左右対称になるように設置すると自然なステレオ感が得られます。



- すべり防止のため、付属のクッションを本体の底面に貼ってください。

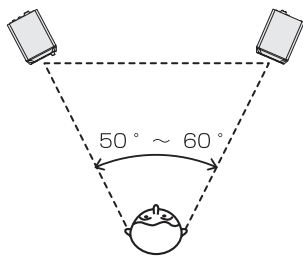


**警告**

小さな部品は幼児の手の届くところに置かないでください。万一飲み込んだ場合にはただちに医師と相談してください。

D41-6-4\_A2\_Ja

- スピーカーは視聴位置から左右に 30°、計 60°の開き角となる位置に設置し、内側に向けてください。



### ⚠ 注意

本機を設置する場合は、放熱を良くするため他の機器や壁などから十分な間隔をとってください(天面 15 cm 以上、後面 15 cm 以上、右側、左側各 15 cm 以上)。本機と壁および他の機器との間隔がとれないと、内部に熱がこもり、性能不良や故障の原因になります。

## 接続する

- 機器の接続を行う場合、または変更を行う場合には、必ず電源を切り、電源コードをコンセントから抜いてください。
- 接続する機器の取扱説明書もあわせてご覧ください。
- 電源コードは、機器の接続がすべて終わってから接続してください。
- 必ず付属の電源コードをお使いください。
- [INPUT 1] 端子と [INPUT 2] 端子への入力信号はミックスされますので、音量にご注意ください。

## コードの接続

付属のスピーカーコードをスピーカーに接続します。

### 1 付属のスピーカーコードの先端の約 1 cm 剥ぎ取られた絶縁体をねじりながら取り除く

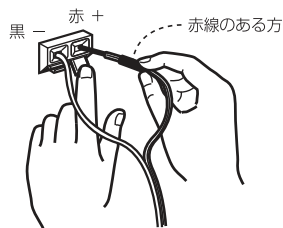
取り除いたあと、芯線をしっかりねじります。



### 2 LEFT 側と RIGHT 側のスピーカー端子に付属のスピーカーコードを接続する

### 3 スピーカー端子のツメを押しながら芯線を端子に挿し込む

スピーカーコードはスピーカーコードの赤線のある方を端子の + 側 (赤) に、赤線のない方を - 側 (黒) に接続します。



### ⚠ 注意

- 端子に接続したあとスピーカーコードを軽く引いて、スピーカーコードの先端が端子へ確実に接続されていることを確かめてください。不完全な接続は、音かとぎれたり、雑音が出たりする原因となります。
- スピーカーコードを接続するときは、芯線をしっかりねじり、スピーカー端子からはみ出していないことを確認してください。芯線がはみ出して、リアパネルに接触したり、芯線どうしが接触するとアンプに過大な負荷が加わって動作が停止したり、故障することがあります。
- LEFT 側と RIGHT 側スピーカー端子を接続時、LEFT 側と RIGHT 側の極性 (+、-) を間違えてつないだ場合、正常なステレオ効果が得られなくなります。

# その他

## 故障かな？と思ったら

- 故障かな？と思ったら、下記の項目を確認してください。また、本機と接続している機器もあわせて確認してください。それでも正常に動作しないときは、8ページの「保証とアフターサービス」をお読みの方え、販売店にお問い合わせください。
- 静電気など、外部からの影響により本機が正常に動作しないことがあります。このようなときは、電源コードを一度抜いて5秒以上経ってから再び差し込むことで正常に動作することがあります。

こんなときは	ここを確認してください	対応の仕方
電源が入らない。	電源コードが正しく接続されていますか？	電源コードをコンセントへ接続してください。
	接続している機器は正しく設定されていますか？	機器の外部入力や音量を正しく設定してください。
	接続ケーブルが正しく接続されていますか？	接続ケーブルを正しく接続してください。
接続している機器の音が出ない、または音が小さい。	端子やプラグが汚れていませんか？	端子やプラグの汚れを拭き取ってから接続してください。
	音量が正しい位置に設定されていますか？	本体前面部の [LEVEL] ツマミを右に回して、音量を上げてください。
	電源がオンになっていますか？	本体背面部の [POWER] スイッチをオンにしてください。
POWER インジケーター（白色）が点灯しない。	電源がオンになっていますか？	本体背面部の [POWER] スイッチをオンにしてください。
	スタンバイ状態になっていませんか？	本体背面部の [POWER] スイッチを一旦オフにして、数秒後にオンにしてください。
スタンバイ状態から復帰（電源オン）しない。	入力信号のレベルが低くありませんか？	入力信号のレベルを大きくしてください。
	音量が正しい位置に設定されていますか？	本体前面部の [LEVEL] ツマミを左に回して、音量を下げてください。
音がひずむ。	接続している機器からの入力レベルは適切ですか？	接続している機器の出力レベルを正しく調整してください。
発振（大きな音が連続的に出る）する。	音量が正しい位置に設定されていますか？	本体前面部の [LEVEL] ツマミを左に回して、音量を下げてください。
左側のスピーカーからしか音が出ない。	スピーカーコードは接続されていますか？	左右のスピーカーを正しく接続してください。
片側のスピーカーからしか音が出ない。	機器を正しく接続していますか？	LとR両方の入力端子に機器を接続してください。

## 保証とアフターサービス

### 修理に関するご質問、ご相談

巻末に記載の修理受付窓口、またはお買い求めの販売店にご相談ください。

### 保証書（裏表紙に記載）

保証書は必ず「販売店名・購入日」などの記入を確かめて販売店から受け取り、内容をよく読んで大切に保管してください。

保証書に販売店名や購入日の記載がない場合は、本製品のご購入の際に受け取られた、購入日が明記されている購入証明書（レシート、納品書、受注メールなど）が必要となります。保証書とともに大切に保管してください。

保証期間は購入日から1年間です。

### 補修用性能部品の最低保有期間

当社はこの製品の補修用性能部品の製造打ち切り後、8年間保有しています。性能部品とは、その製品の機能を維持するために必要な部品です。

### 修理を依頼されるとき

本書の8ページの「故障かな？と思ったら」をお読みいただき、故障かどうかをご確認ください。それでも正常に動作しないときは、必ず電源プラグを抜いてから、次の要領で修理を依頼してください。

### 連絡していただきたい内容

- ご住所
- お名前
- お電話番号
- 製品名：アクティブモニタースピーカー
- 型番：DM-40, DM-40-W
- お買い上げ日
- 故障または異常の内容  
「いつ、どのくらいの頻度で、どのような操作で、どうなる」といった詳細

### 保証期間中は

修理に際しましては、保証書をご提示ください。保証書に記載されている弊社保証規定に基づき修理いたします。

### 保証期間を過ぎているときは

修理すれば使用できる製品については、ご希望により有料で修理いたします。

## 商標および登録商標について

- 「Pioneer DJ」は、パイオニア株式会社の商標であり、ライセンスに基づき使用されています。
- その他記載されている会社名および製品名等は、各社の登録商標または商標です。

# 仕様

DM-40, DM-40-W	
形式	2 ウェイアクティブスピーカー
アンプ部	
アンプ出力	Lch: 21 W/4 Ω, Class AB Rch: 21 W/4 Ω, Class AB
入力端子	RCA × 1、3.5 mm ステレオミニプラグ × 1
入力インピーダンス	10 kΩ
出力端子	ヘッドフォン × 1
スピーカー部	
エンクロージャー	バスレフ型 /MDF ビニールラミネート
ウーファー (LF ドライバー)	4 インチ (102 mm) コーン
トゥイーター (HF ドライバー)	3/4 インチ (19 mm) ソフトドーム
電源部・その他	
対応電圧	AC 100 V、50 Hz/60 Hz
消費電力	35 W
待機時消費電力 (スタンバイ状態)	0.5 W 以下
外形寸法 W × H × D	Lch: 146 mm × 227 mm × 223 mm
	Rch: 146 mm × 227 mm × 210 mm
質量	Lch: 2.7 kg
	Rch: 2.2 kg

- 本機の仕様および外観は、改良のため予告なく変更することがあります。
- © 2016 Pioneer DJ 株式会社 禁無断転載



<各窓口へお問い合わせ時のご注意>

「0120」で始まる電話番号は、携帯電話・PHS・一部のIP電話などからはご使用になれません。

ナビダイヤルは、携帯電話・PHSなどからご利用可能ですが、通話料がかかります。また一部のIP電話などからはご使用になれません。

正確なご相談対応のために折り返しお電話をさせていただくことがございますので発信者番号の通知にご協力いただきますようお願いいたします。

## 商品についてのご相談窓口 ※番号をよくお確かめの上でおかけいただけますようお願いいたします

Pioneer DJ商品の取り付け・組み合わせなどについては、お買い求めの販売店様へお問い合わせください。

● 商品のご購入や取り扱い、故障かどうかのご相談窓口およびカタログのご請求について

### Pioneer DJ サポートセンター

受付時間 月曜～金曜9:30～18:00、土曜9:30～12:00、13:00～17:00（日曜・祝日・弊社休業日は除く）

- 電話 【固定電話から】 0120-545-676（無料）  
【携帯電話・PHSから】 0570-057-134（ナビダイヤル・有料）
- ファックス 0570-057-135（ナビダイヤル・有料）

■インターネットホームページ <http://pioneerdj.com/support/>  
※商品についてよくあるお問い合わせ、ソフトウェアダウンロードなど

## 修理についてのご相談窓口 ※番号をよくお確かめの上でおかけいただけますようお願いいたします

修理をご依頼される場合は、取扱説明書の『故障かな？と思ったら』を一度ご覧になり、故障かどうかご確認ください。それでも正常に動作しない場合は、①型名②ご購入日③故障症状を具体的に、ご連絡ください。

### 修理受付窓口

受付時間 月曜～金曜9:30～18:00、土曜9:30～12:00、13:00～17:00（日曜・祝日・弊社休業日は除く）

- 電話 【固定電話から】 0120-5-81028（無料）  
【携帯電話・PHSから】 0570-037-610（ナビダイヤル・有料）
- ファックス 0120-5-81029（無料）

■インターネットホームページ <http://pioneer.jp/support/purpose/repair/>  
※インターネットによる修理のお申し込みを受け付けております

## 部品のご購入についてのご相談窓口 ※番号をよくお確かめの上でおかけいただけますようお願いいたします

● 部品（付属品、取扱説明書など）のご購入について

### 部品受注センター

受付時間 月曜～金曜9:30～18:00、土曜9:30～12:00、13:00～17:00（日曜・祝日・弊社休業日は除く）

- 電話 【固定電話から】 0120-5-81095（無料）  
【携帯電話・PHSから】 0570-057-140（ナビダイヤル・有料）
- ファックス 0120-5-81096（無料）

平成27年3月現在 記載内容は、予告なく変更させていただくことがありますので予めご了承ください。

VOL.001

商品相談・修理受付・付属品購入窓口のご案内  
 ～お取り扱いにお困りのとき、前項をご覧ください。

**Pioneer DJ** 音響映像機器保証書

出張修理

機種		<b>DM-40, DM-40-W</b>	
お客様	お名前	様	
	ご住所 〒	.....	
お買い上げ日		取扱販売店名・住所・電話番号	
年 月 日			
保証期間(お買い上げ日より)			
本体		1 年	

本書は、本書記載内容で無料修理を行うことをお約束するものです。

- お客様へお願い  
 お手数ですが、ご住所、お名前、電話番号をわかりやすくご記入ください。  
 お客様にご記入いただいた保証書は、保証期間内のサービス活動及びその後の安全点検活動のために記載内容を利用して頂く場合がございますので、ご了承ください。
- ご販売店様へ  
 お買い上げ日、貴店名、住所、電話番号を記入のうえ、保証書をお客様へお渡しください。

**Pioneer DJ 株式会社**

〒220-0012  
 神奈川県横浜市西区みなとみらい4丁目4番5号  
 横浜アイマークプレイス6階  
 お問い合わせ先： Pioneer DJ サポートセンター  
**0120-545-676**

〈 無料修理規定 〉

- 取扱説明書、本体貼付ラベル等の注意にしたがった使用状態で故障した場合には、お買い上げの販売店または弊社が無料修理いたします。
- 保証期間内に故障して無料修理をお受けになる場合には、お買い上げの販売店にご依頼ください。その際には本書をご提示ください。なお、離島及び離島に準ずる遠隔地への出張修理を行った場合には、出張に要する実費を申し受けます。
- ご転居、ご贈答品等で本保証書に記載してあるお買い上げの販売店に修理が依頼できない場合には、バイオニア修理受付窓口（取扱説明書をご参照）へご相談ください。
- 保証期間内でも次の場合には有料修理になります。
  - 使用上の誤りまたは不当な修理や改造による故障および損傷
  - お買い上げ後の取付場所の移動、落下等による故障および損傷
  - 火災、地震、水害、落雷その他の天災地変、公害、塩害、異常電圧、水掛り等による故障および損傷
  - 消耗品(各部ゴム、電池、ピックアップ、スピンドルモーター、スライダモーター等)の交換
  - 本書の提示がない場合
  - お買い上げの年月日、販売店が確認できない場合
  - 本書のお買い上げの年月日、お客様名、販売店名を書き換えた場合
  - 故障の原因が本製品以外の他社製品にある場合
  - 劣悪な設置条件(油煙、熱、塵、水、直射日光等)にて使用し故障した場合

- 本書は日本国内においてのみ有効です。  
 This warranty is valid only in Japan.
- 本書は再発行いたしませんので紛失しないように大切に保管してください。
- その他
  - 故障その他による営業上の機会損失(逸失利益)は補償いたしませんのでご了承ください。
  - 高技術製品は持ち帰り修理になる場合があります。
  - 特殊なセッティング(配線の引回し、棚の設置等)、「取付業者指定商品」の取付け取外しは専門の工事店にご依頼ください。

修理メモ

※この保証書は、本書に明示した期間、条件のもとにおいて無料修理をお約束するものです。したがってこの保証書によって保証書を発行している者(保証責任者)、及びそれ以外の事業者に対するお客様の法律上の権利を制限するものではありません。保証期間経過後の修理等についてご不明の場合は、お買い上げの販売店にお問い合わせください。  
 ※保証期間経過後の修理、補修用性能部品の保有期間について詳しくは取扱説明書をご覧ください。

© 2017 Pioneer DJ Corporation. All rights reserved.

© 2017 Pioneer DJ Corporation. Tous droits de reproduction et de traduction réservés.

**Pioneer DJ Corporation**

6F, Yokohama i-Mark Place, 4-4-5 Minatomirai, Nishi-ku, Yokohama, Kanagawa 220-0012 JAPAN

**Pioneer DJ 株式会社**

〒220-0012 神奈川県横浜市西区みなとみらい4丁目4番5号 横浜アイマークプレイス6階

**Корпорация Пайонир Диджей**

6F, Йокогама i-Mark Place, 4-4-5 Минатомирай, Ниси-ку, Йокогама, Канагава 220-0012 ЯПОНИЯ

**Pioneer DJ Europe Limited**

Anteros Building, Odyssey Business Park, West End Road, South Ruislip, Middlesex, HA4 6QQ, U.K. TEL: +44-203-7617-220

**Pioneer DJ Americas, Inc.**

2050 W. 190th Street, Suite 109, Torrance, CA 90504, U.S.A. TEL: +1 (424) 488-0480

**PIONEER ELECTRONICS ASIACENTRE PTE. LTD.**

2 Jalan Kilang Barat, #07-01, Singapore 159346 TEL: +65-6378-7888

**PIONEER ELECTRONICS AUSTRALIA PTY. LTD.**

5 Arco Lane, Heatherton, Victoria, 3202, Australia, TEL: +61-3-9586-6300

**PIONEER ELECTRONICS (THAILAND) CO., LTD.**

17th Fl., KPN Tower, 719 Rama 9 Road, Bangkok, Huaykwang, Bangkok 10310

TEL: +66-2-717-0777

**PIONEER TECHNOLOGY (MALAYSIA) SDN. BHD**

16th Floor, Menara Uni. Asia 1008 Jalan Sultan Ismail 50250 Kuala Lumpur

TEL: +60-3-2697-2920

**先鋒股份有限公司**

台灣台北市內湖區瑞光路 407 號 8 樓 TEL: +886-(0)2-2657-3588

**先鋒電子(香港)有限公司**

香港九龍長沙灣道 909 號 5 樓 TEL: +852-2848-6488

**PIONEER ELECTRONICS DE MEXICO S.A. DE C.V.**

Bvd. Manuel Avila Camacho 138 10 piso Col.Lomas de Chapultepec,

Mexico, D.F. 11000 TEL: +52-55-9178-4270

**PIONEER INDIA ELECTRONICS PRIVATE LTD.**

216, Second Floor, Time Tower, M.G. Road, Sector 28, Gurgaon 122001,

Haryana, India TEL: +91-124-463-6100

PDJ\_001\_all

Сделано в Китае

Printed in China / Imprimé en Chine

<DRC1406-C>